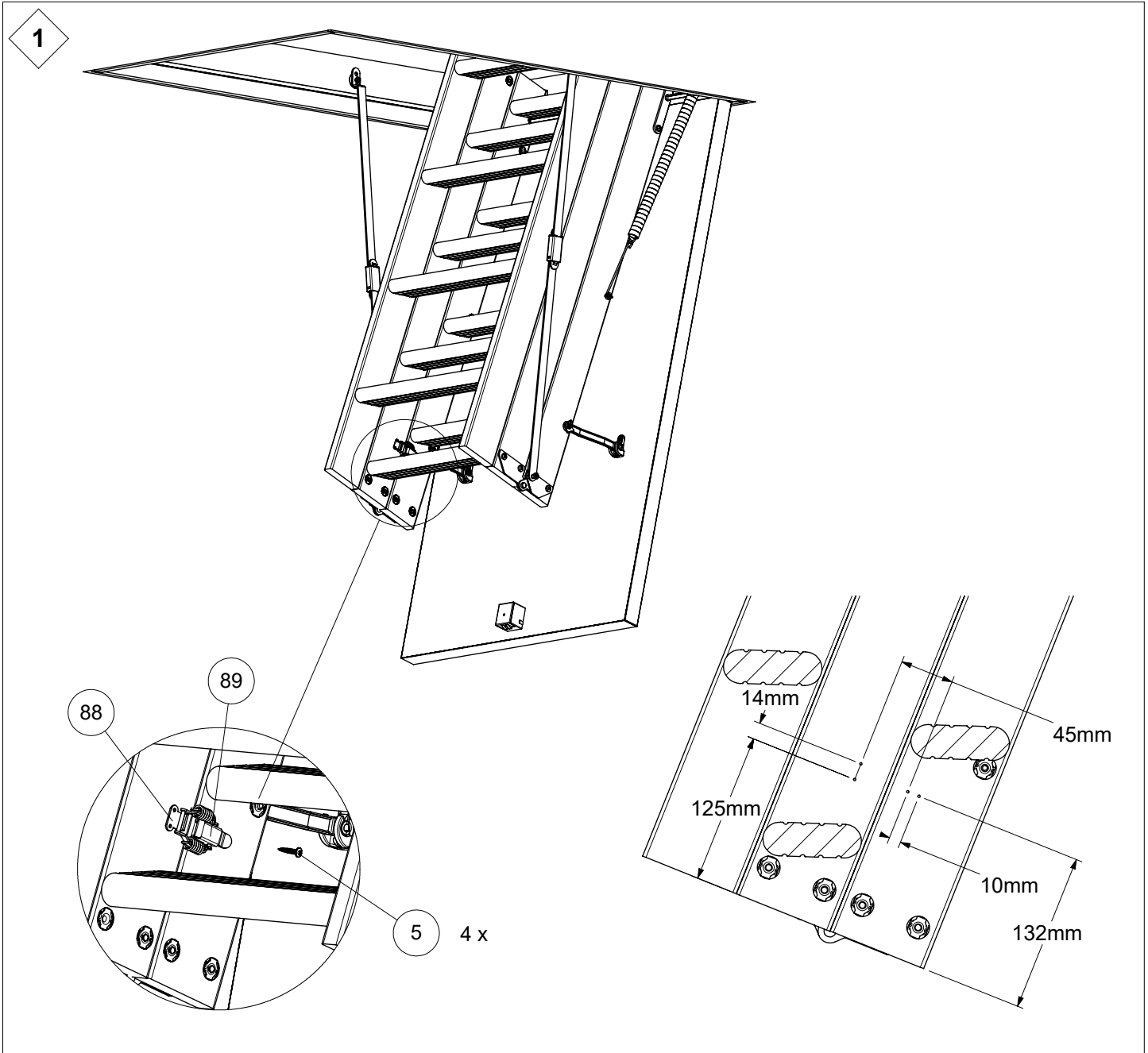
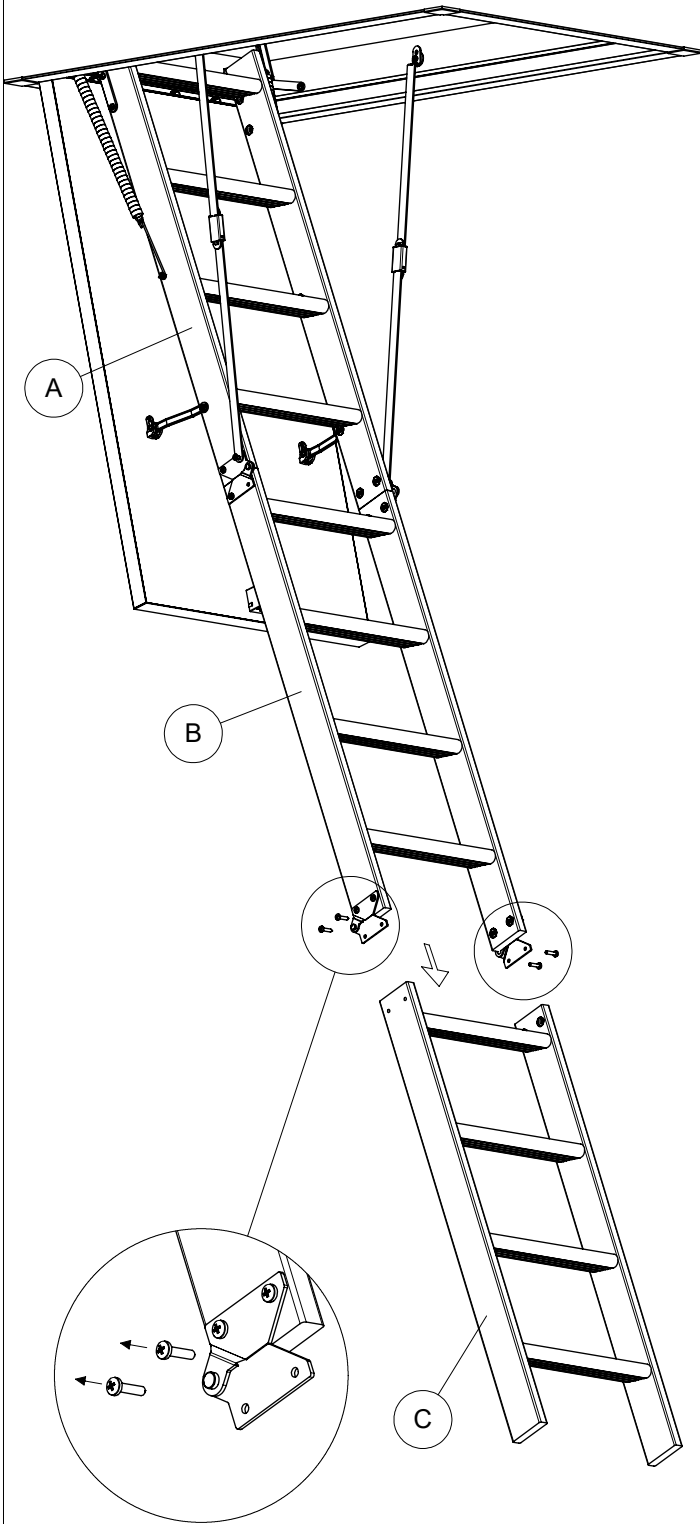


**IMPORTANT**

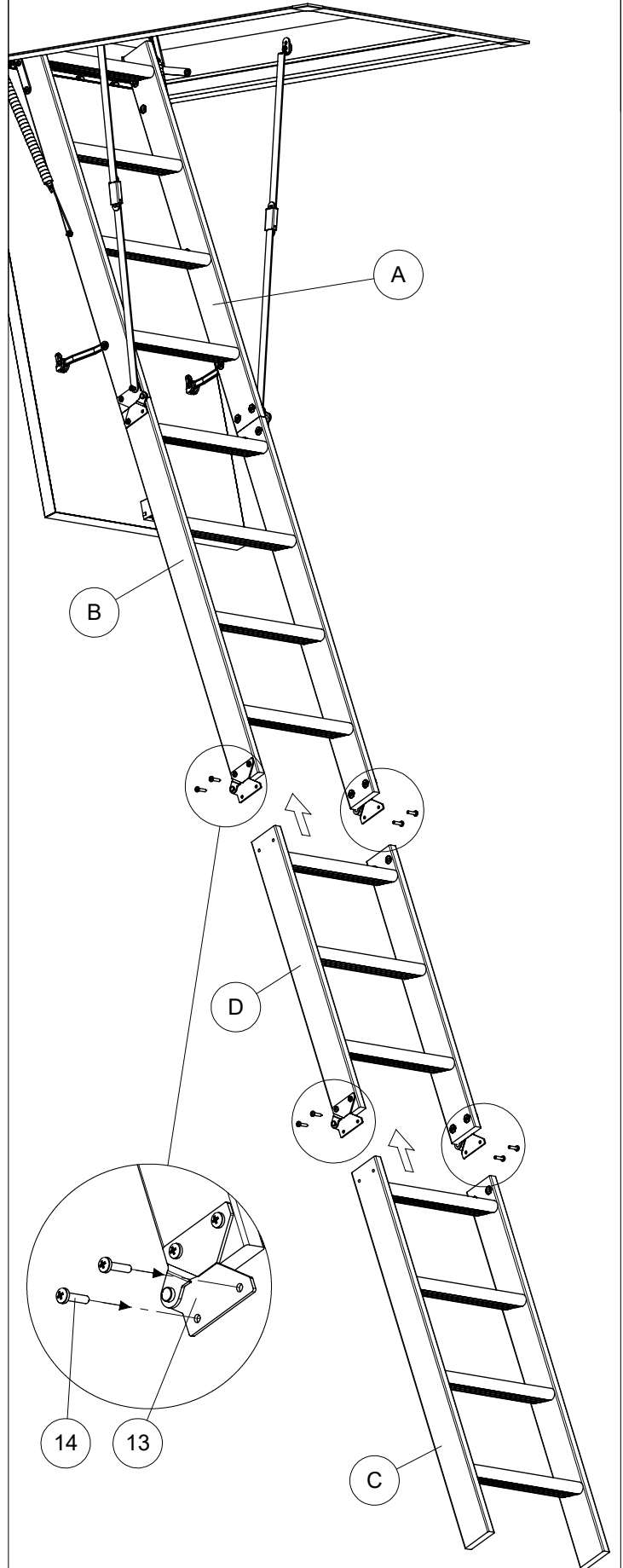
Where floor to ceiling height is greater than 3 m releasing the safety catch whilst supporting the ladder may be difficult. In this case we would recommend the use of a small step ladder for safe operation.

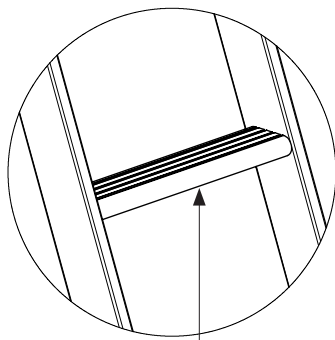
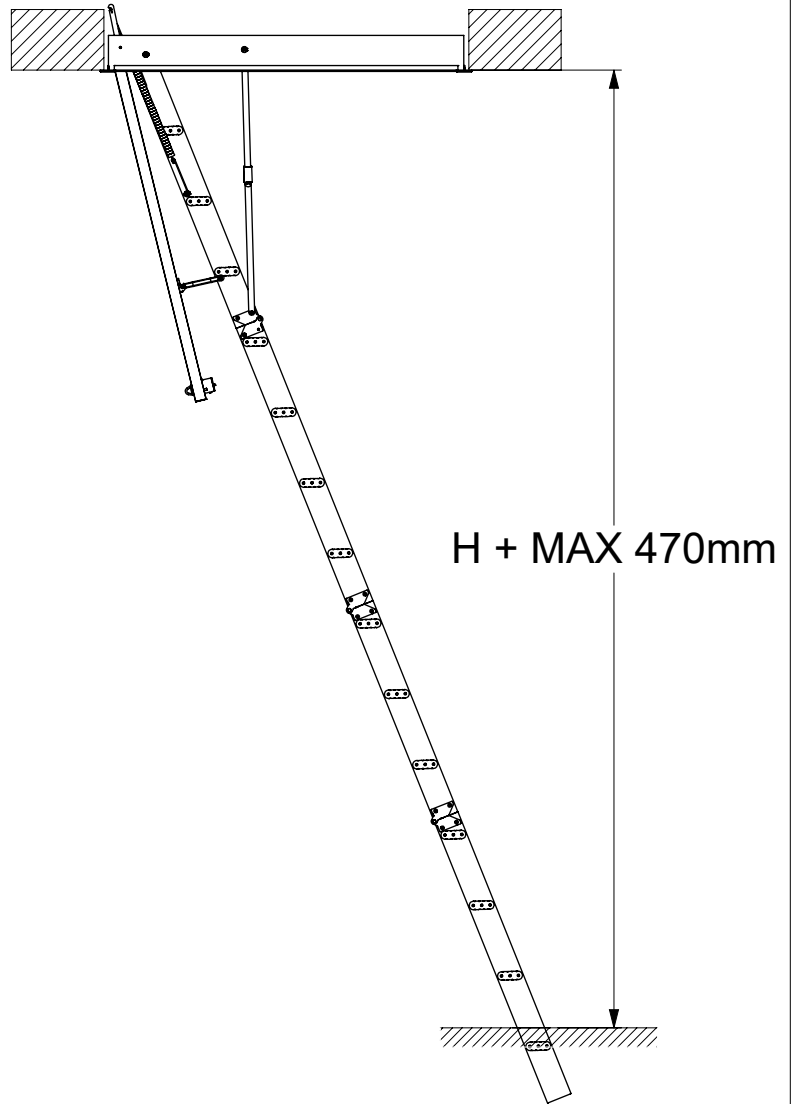
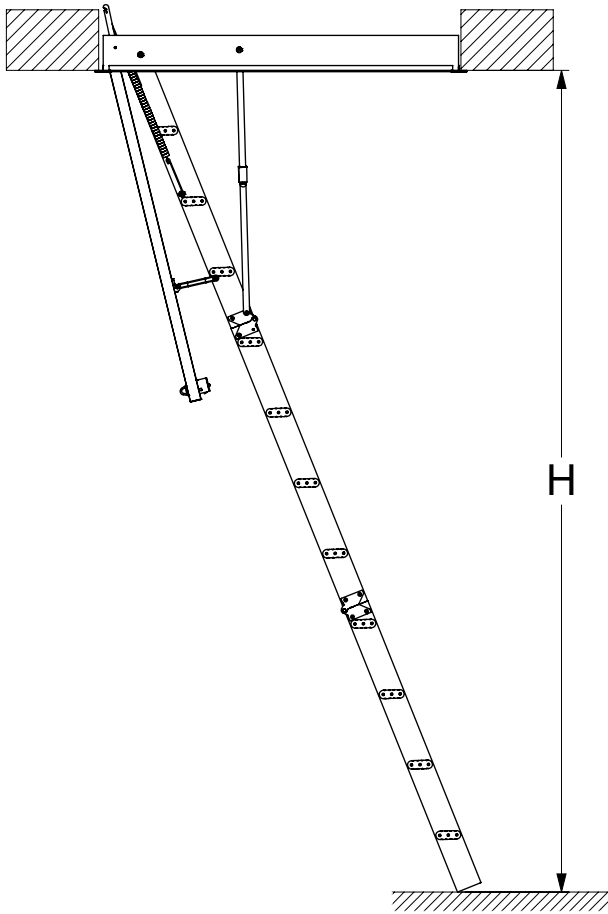


2

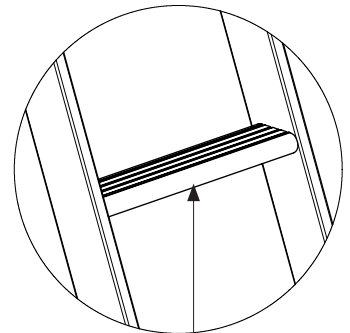


3

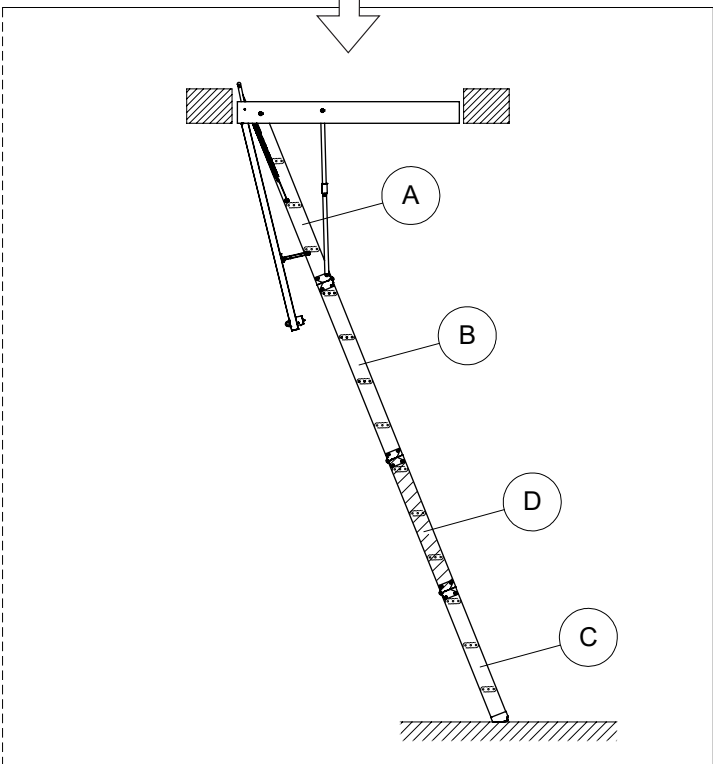
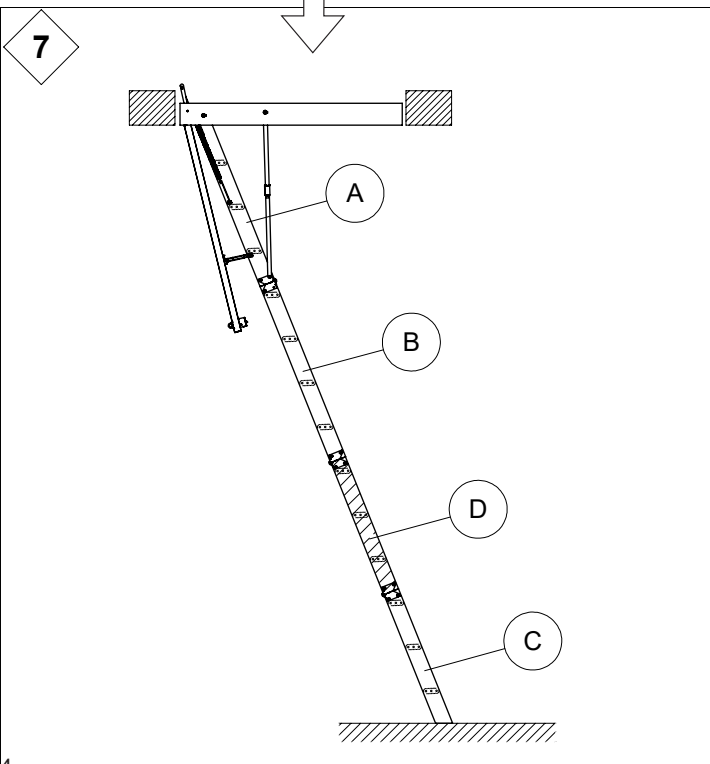
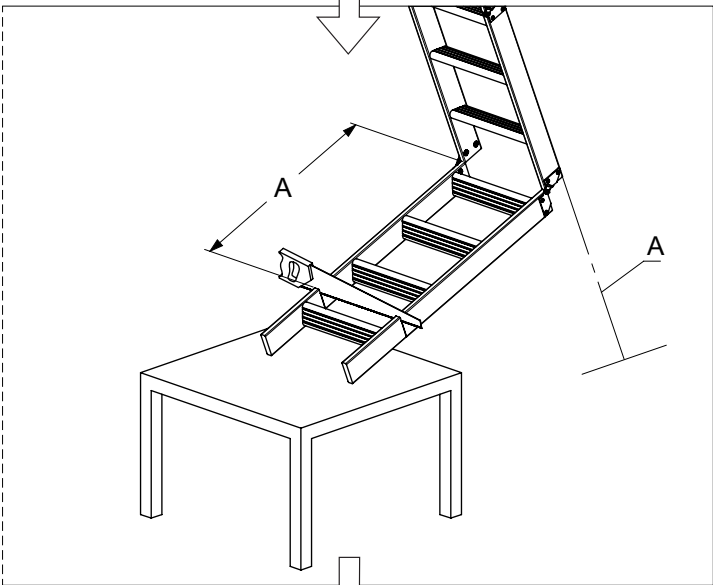
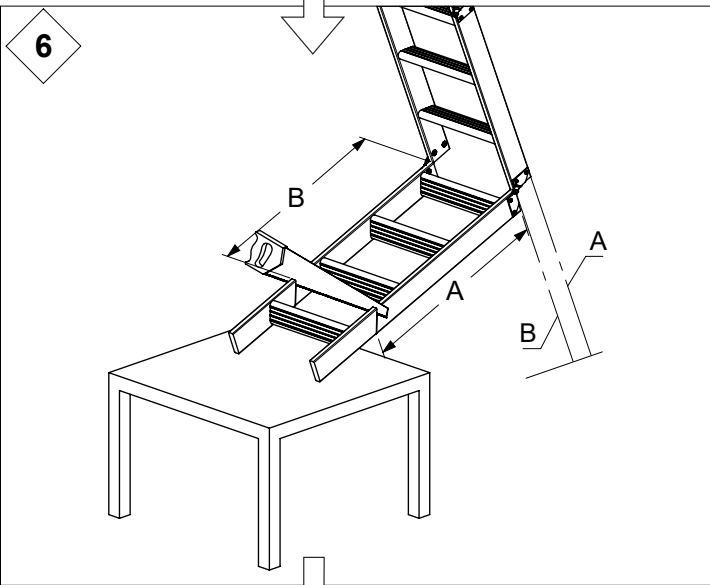
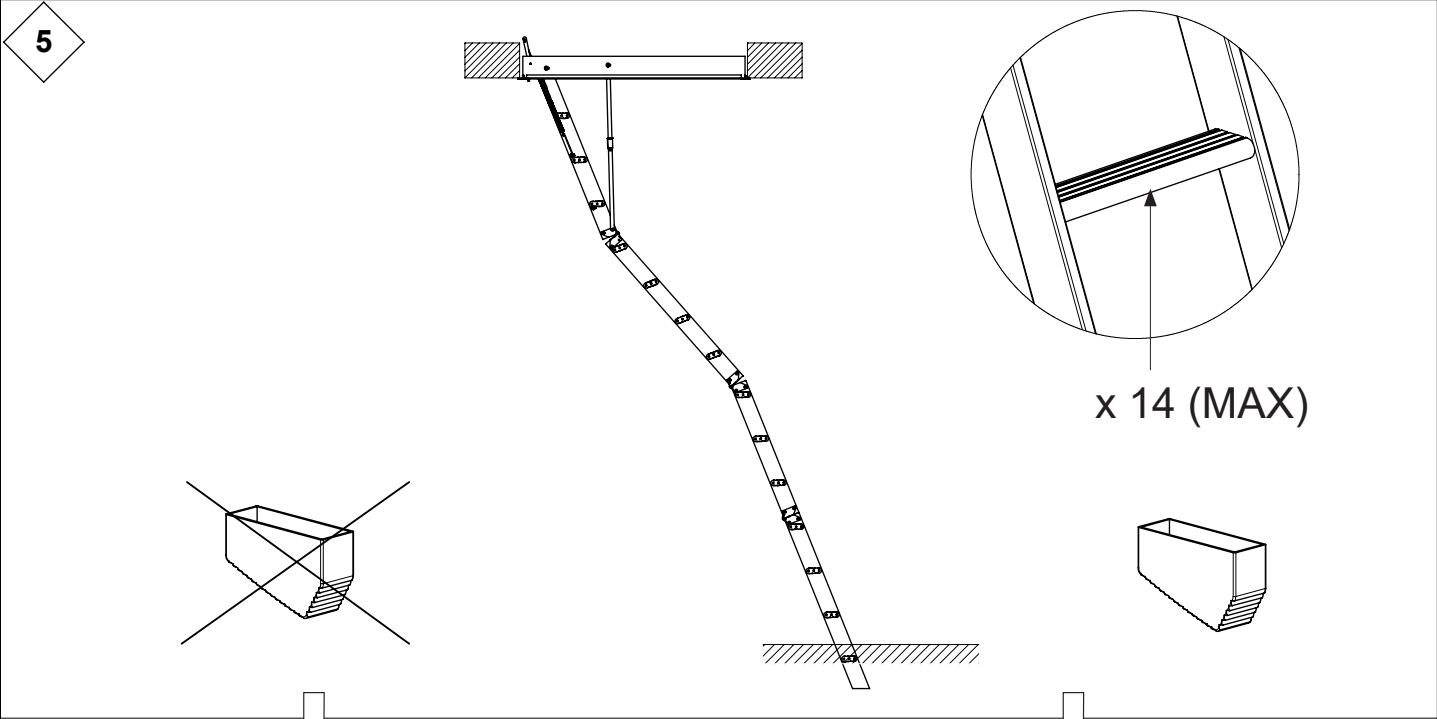




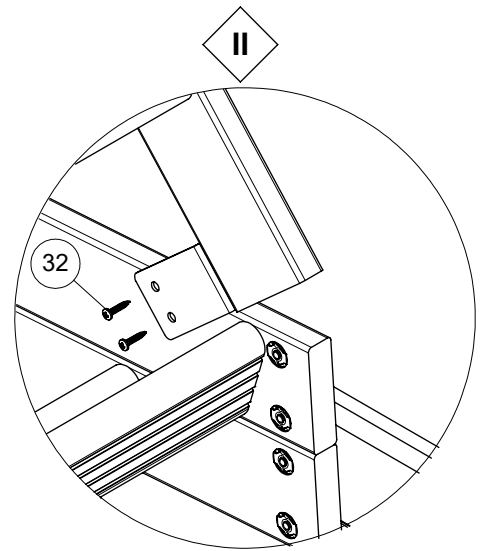
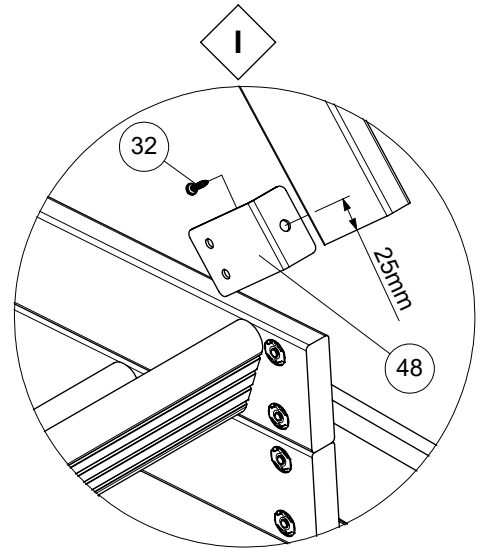
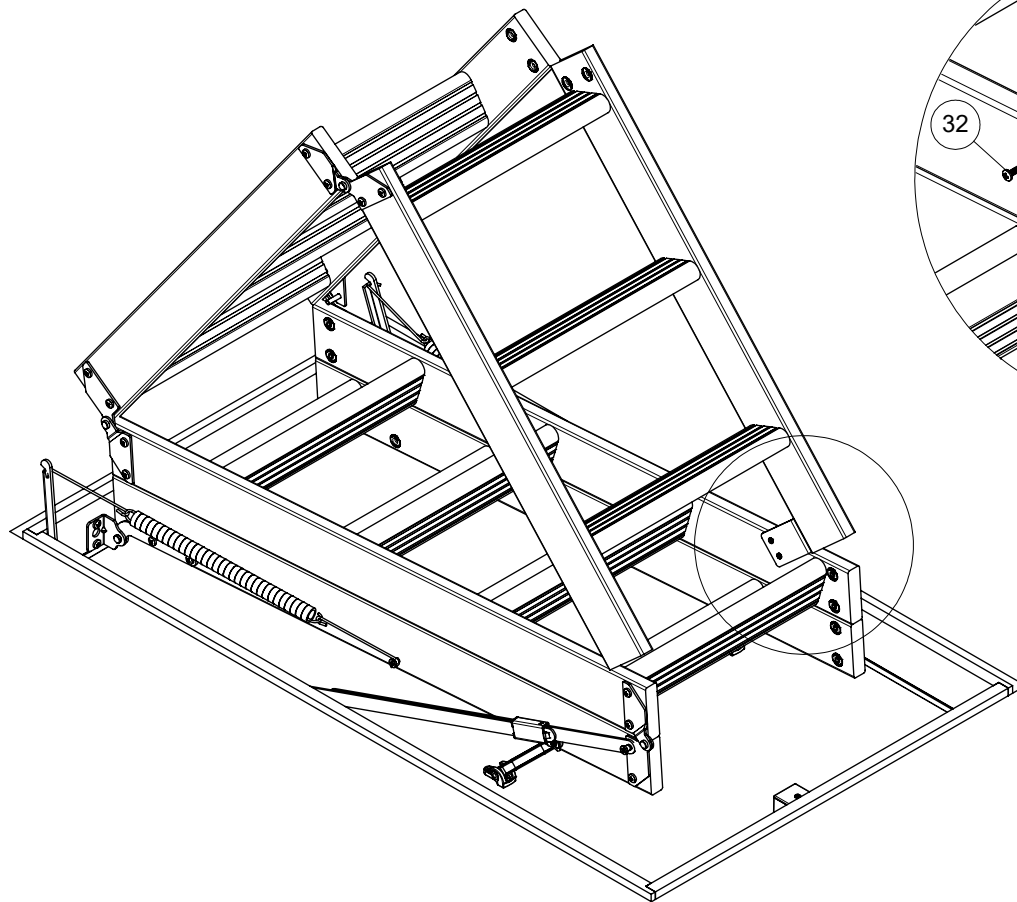
x 12



x 14 (MAX)



8



## OPERATION INSTRUCTIONS

Always follow the following sequences:

1. Open the trapdoor using the pole provided.
2. Disengage the bottom section from the locking plate.
3. Disengage the safety lock that secures the first 2 ladder sections.
4. Unfold the ladder to the floor by holding both legs with a good grip.
5. To fold and close your loft ladder, follow the above mentioned sequences in reverse.