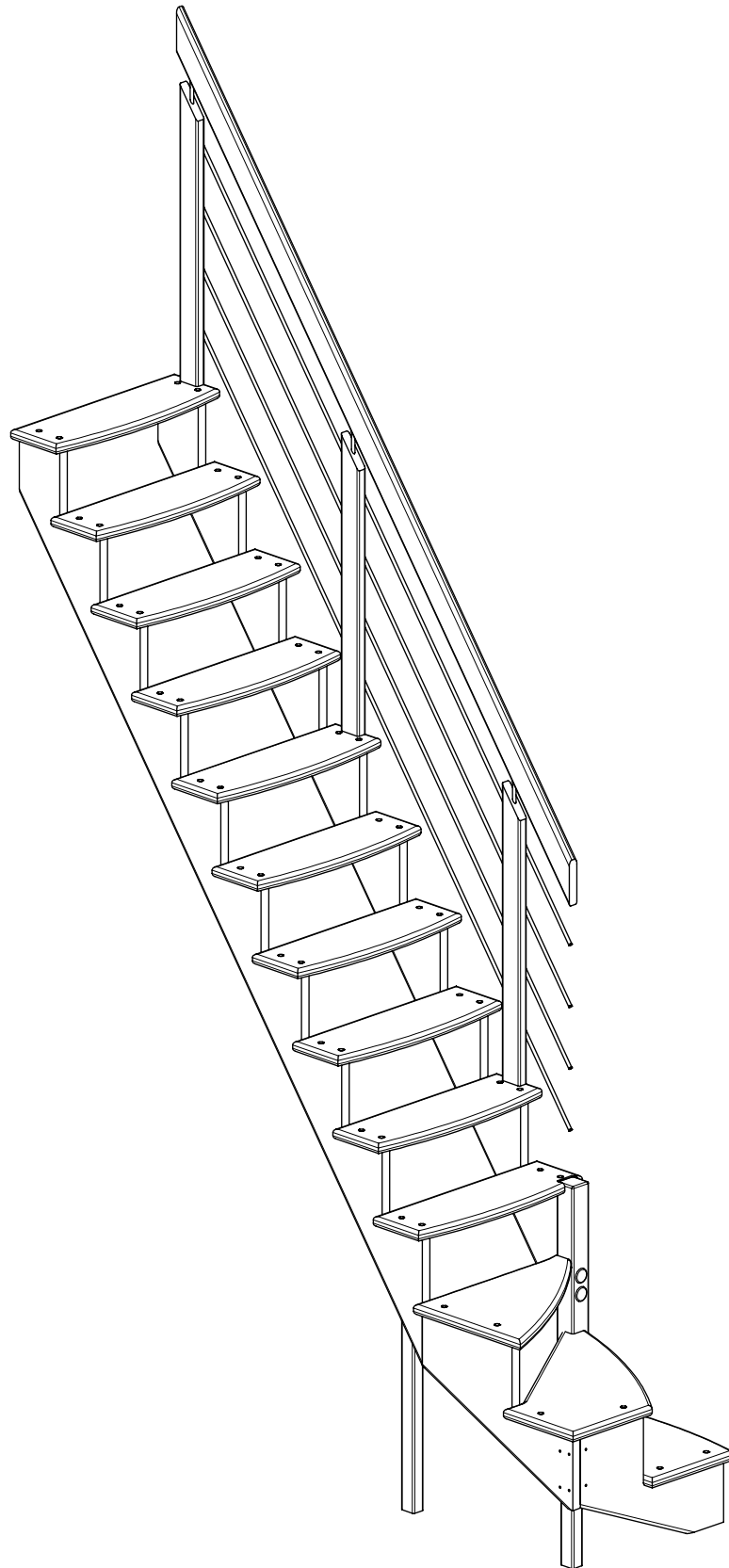
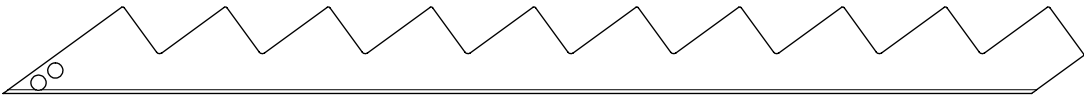


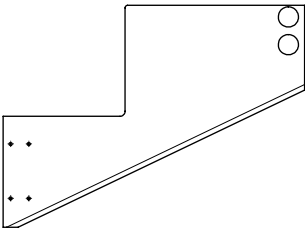
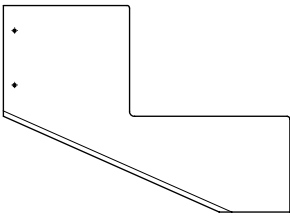

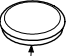
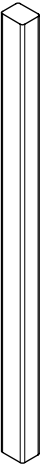
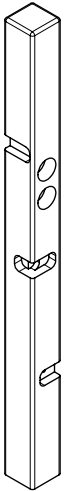
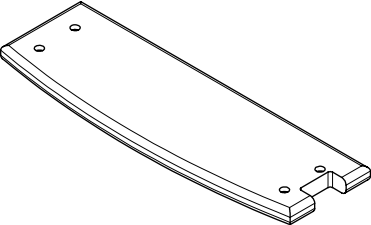


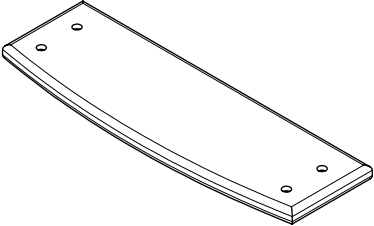

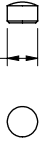


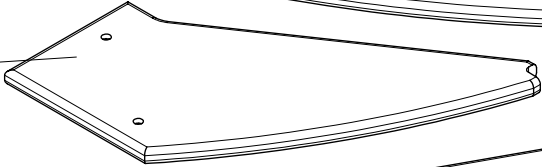
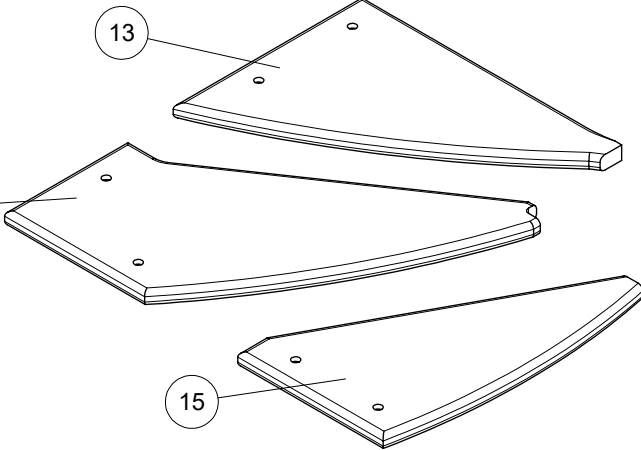
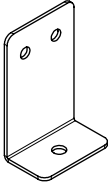
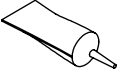


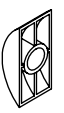







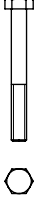






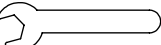


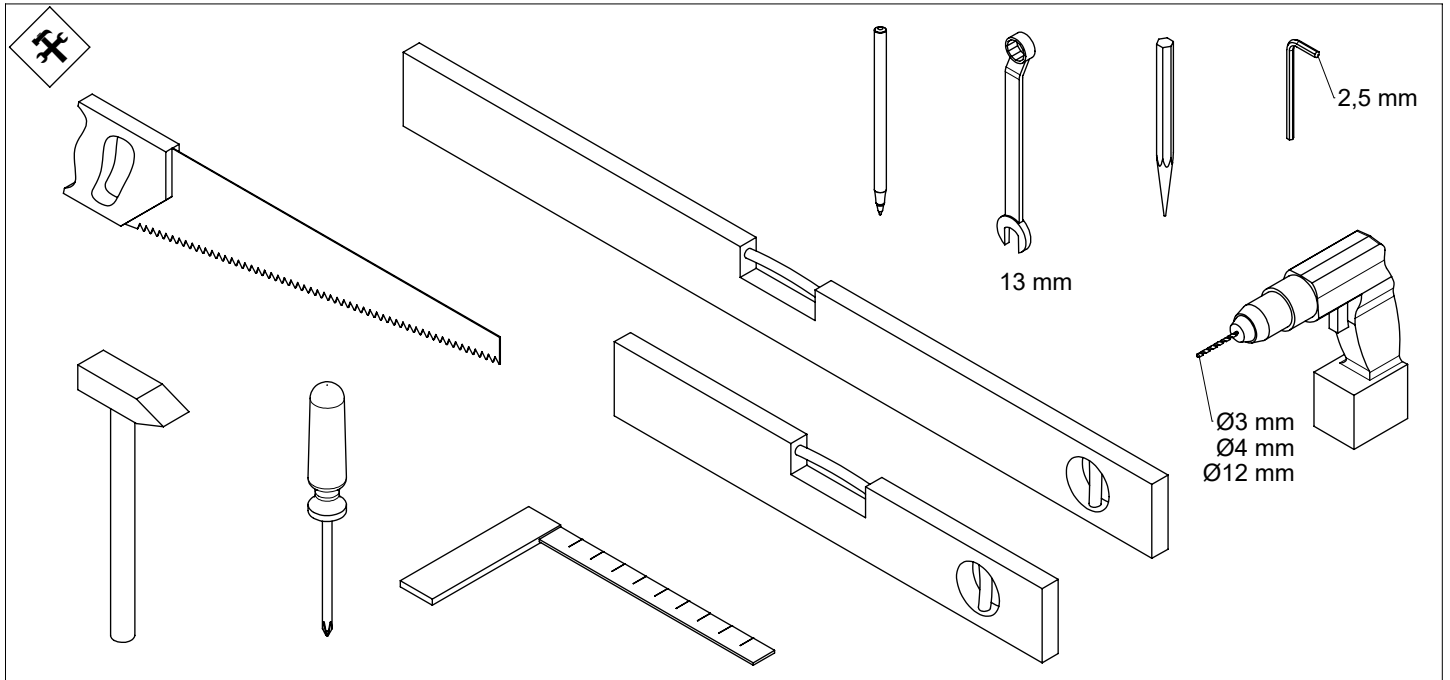
# LYON ¼ turn

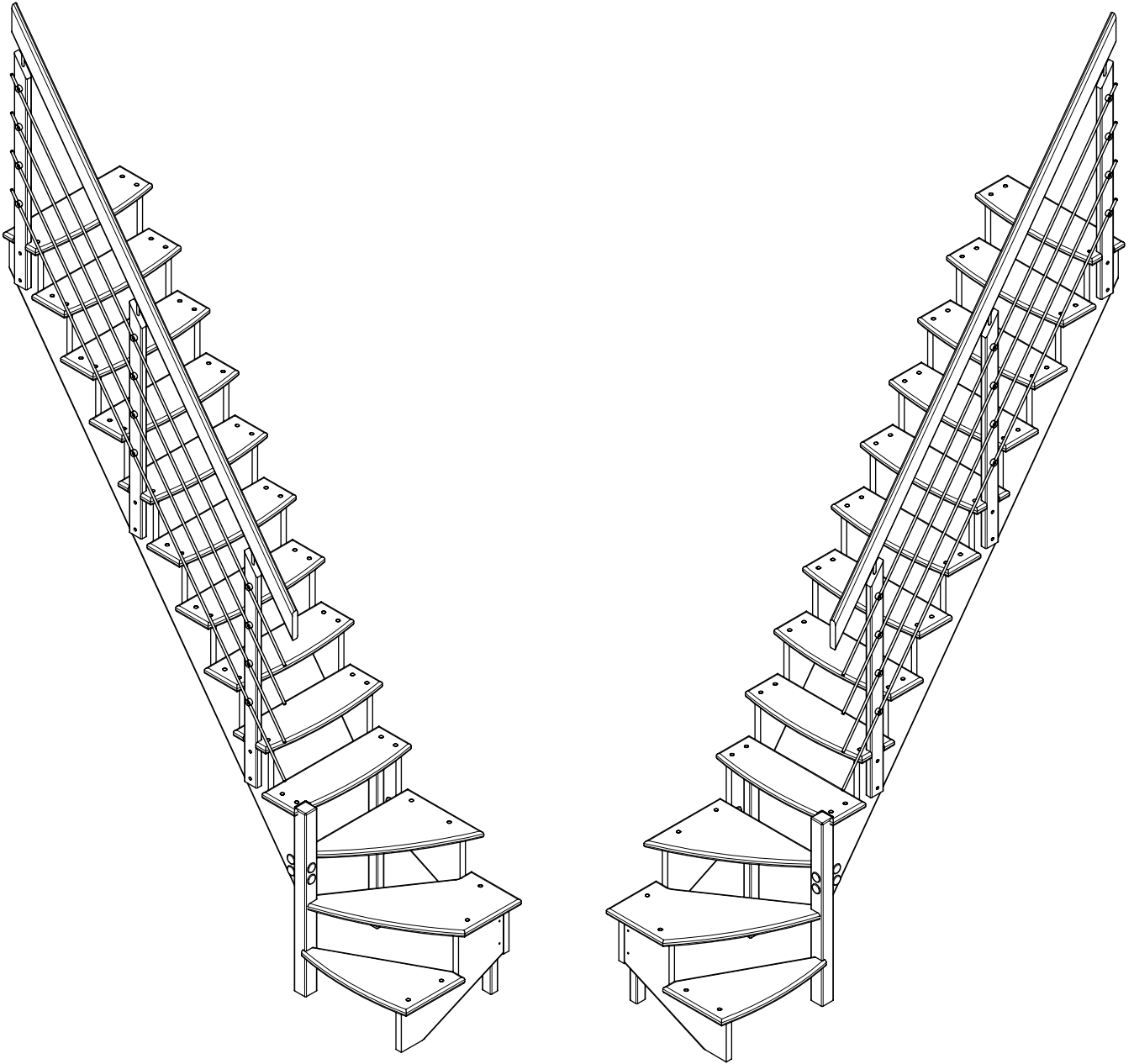
Installation instruction  
Montageanleitung  
Instruction de montage



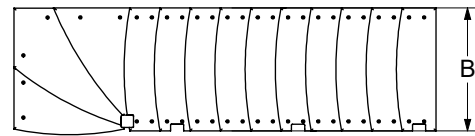
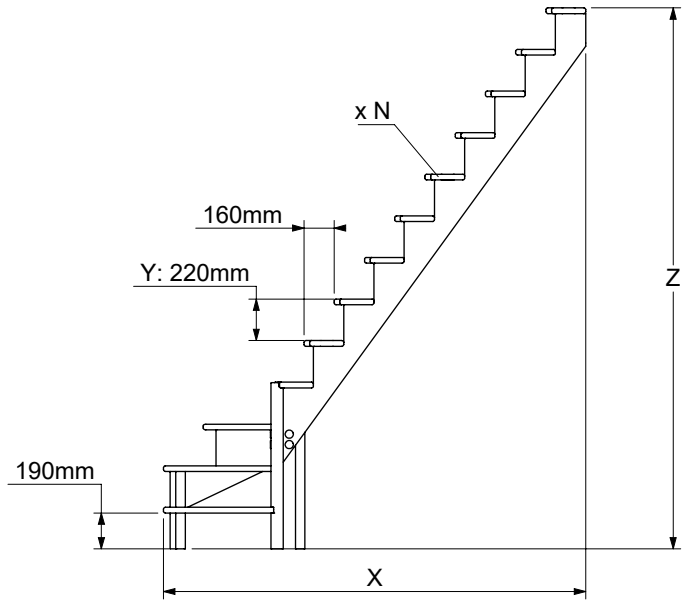
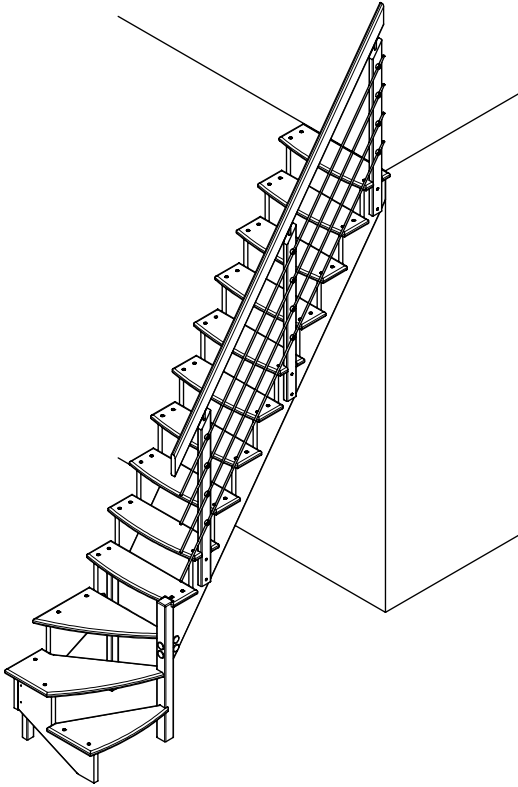
|   |   |  |   |  |
|---|---|--|---|--|
| <p>1</p>    |   |  |   |  |
| <p>x 2</p>  |   |  |   |  |
| <p>2</p>    |   |  |   |  |
| <p>x 1</p>  |   |  |   |  |
| <p>3</p>    |   |  |   |  |
| <p>x 4</p>  | <p>4</p>  <p>x 1</p>   | <p>5</p>  <p>x 1</p>  | <p>6</p>  <p>x 1</p>   | <p>7</p>  <p>∅ 40mm</p> <p>x 8</p>  |
| <p>8</p>  <p>x 1</p>   | <p>9</p>  <p>x 1</p> | <p>10</p>  <p>x 3</p> <p>11</p>  <p>x 6</p> <p>12</p>  <p>x 1</p> | <p>16</p>  <p>x 3</p>  | <p>17</p>  <p>x 3<br/>R1-63820</p> <p>18</p>  <p>∅ 16mm</p> <p>x 46</p> <p>19</p>  <p>∅ 16mm</p> <p>x 3</p> |
| <p>13</p>  <p>14</p>  <p>15</p>  |   | <p>21</p>  <p>x 4<br/>C1-09910</p> <p>23</p>  <p>x 12<br/>K2-46015</p>   | <p>22</p>  <p>x 2<br/>R3-90050</p> <p>24</p>  <p>x 8<br/>K1-01010</p> |  |

|  |  |  |  |   |   |
|--|--|--|--|---|---|
| <p>30</p>  <p>x 6<br/>R1-63800</p>              | <p>31</p>  <p>x 6<br/>R1-63810<br/>Ø8,4</p>     | <p>32</p>  <p>x 6<br/>R1-63818<br/>Ø8,4</p>     | <p>33</p>  <p>x 2<br/>R1-63808<br/>M8 x 60</p>    | <p>34</p>  <p>x 4<br/>R3-91415<br/>Ø8 x 40</p> | <p>35</p>  <p>x 5<br/>R1-63286<br/>Ø6 x 60</p> |
| <p>36</p>  <p>x 9<br/>R1-63288<br/>Ø6 x 80</p>  | <p>37</p>  <p>x 6<br/>R3-72165<br/>Ø6</p>       | <p>38</p>  <p>x 2<br/>R1-63807<br/>M8 x 70</p>  | <p>39</p>  <p>x 2<br/>R2-85310<br/>Ø8,4 / Ø24</p> | <p>40</p>  <p>x 4<br/>R3-91060<br/>Ø8 x 60</p> | <p>41</p>  <p>x 8<br/>R3-91360<br/>Ø5 x 25</p> |
| <p>42</p>  <p>x 4<br/>R3-91290<br/>Ø12 x 60</p> | <p>43</p>  <p>x 52<br/>R3-72110<br/>Ø5 x 50</p> | <p>44</p>  <p>x 12<br/>K3-06104<br/>Ø5 x 40</p> | <p>45</p>  <p>x 1<br/>R1-63813<br/>13mm (M8)</p>  |   |   |

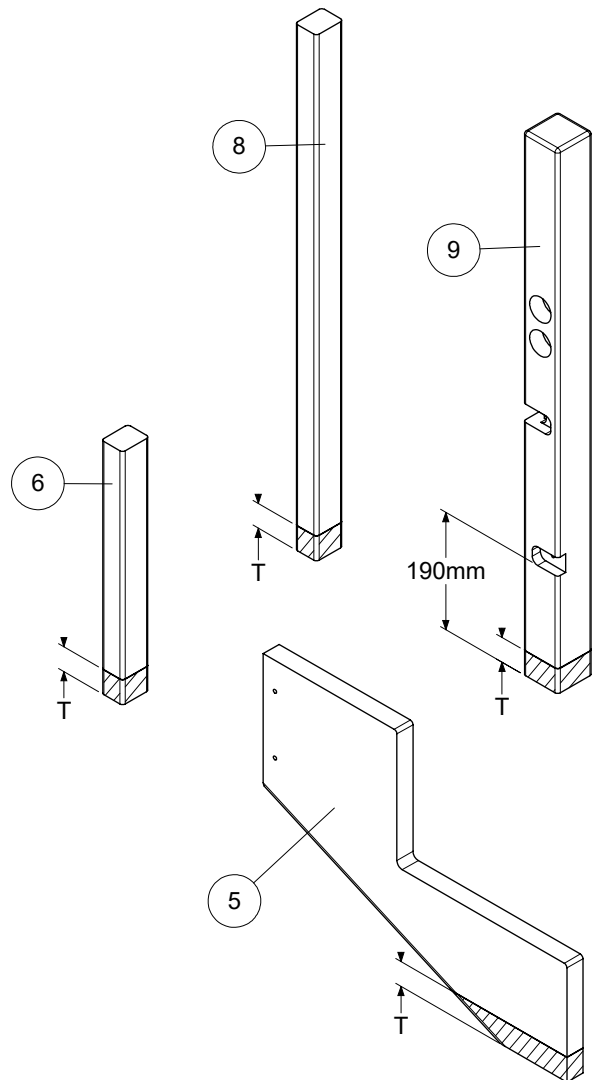
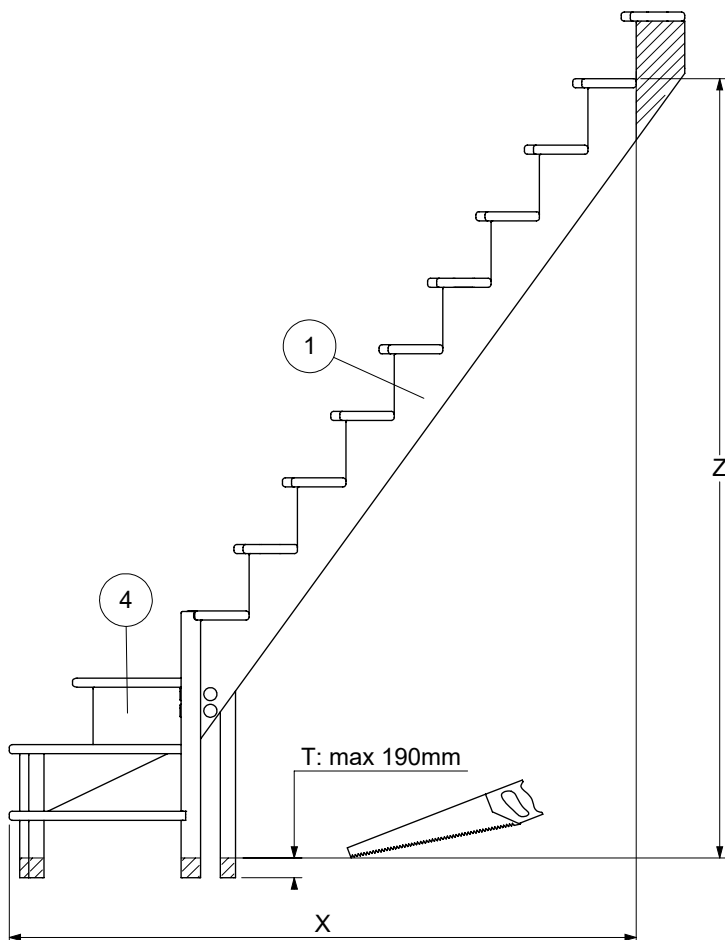




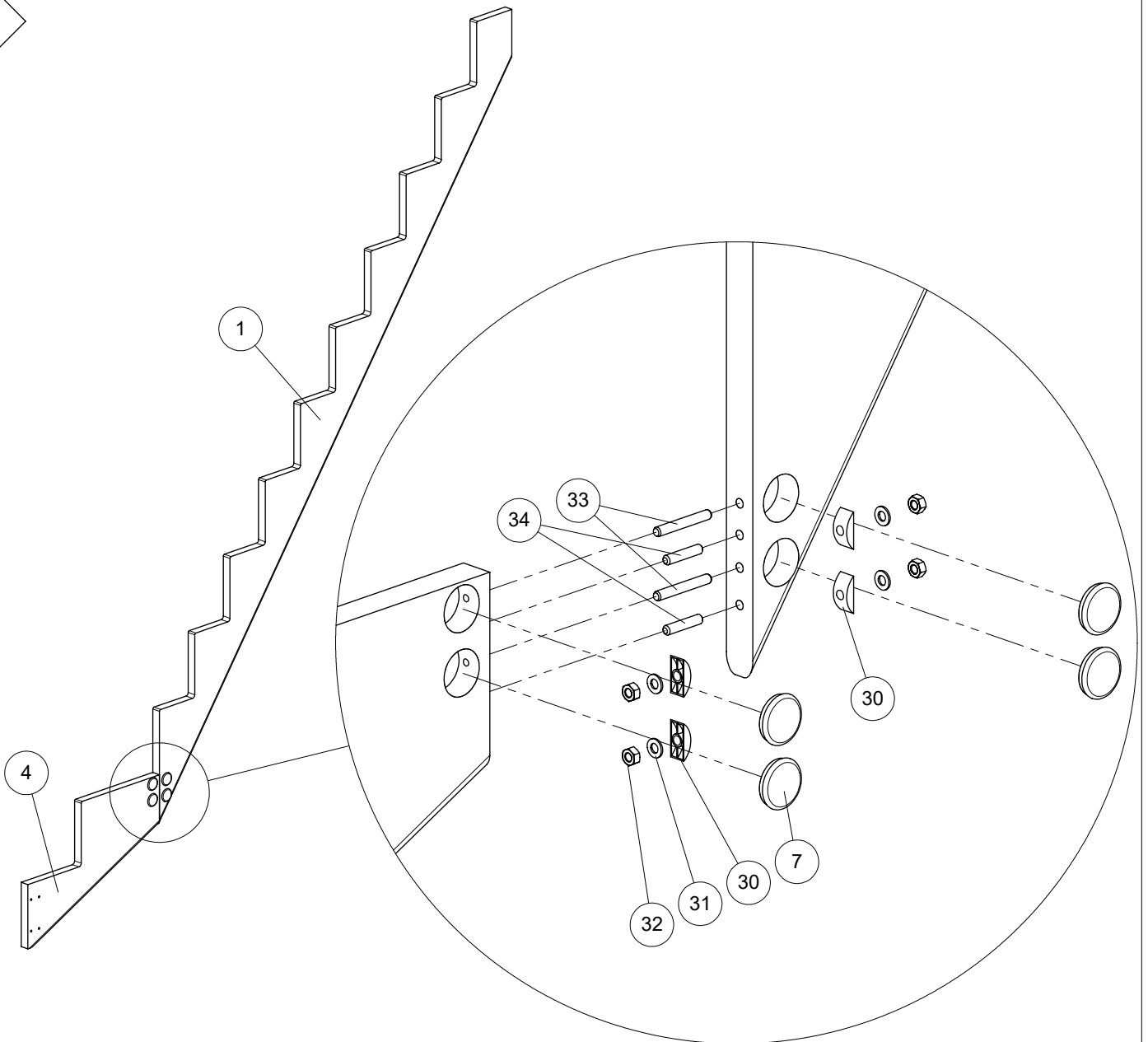
1



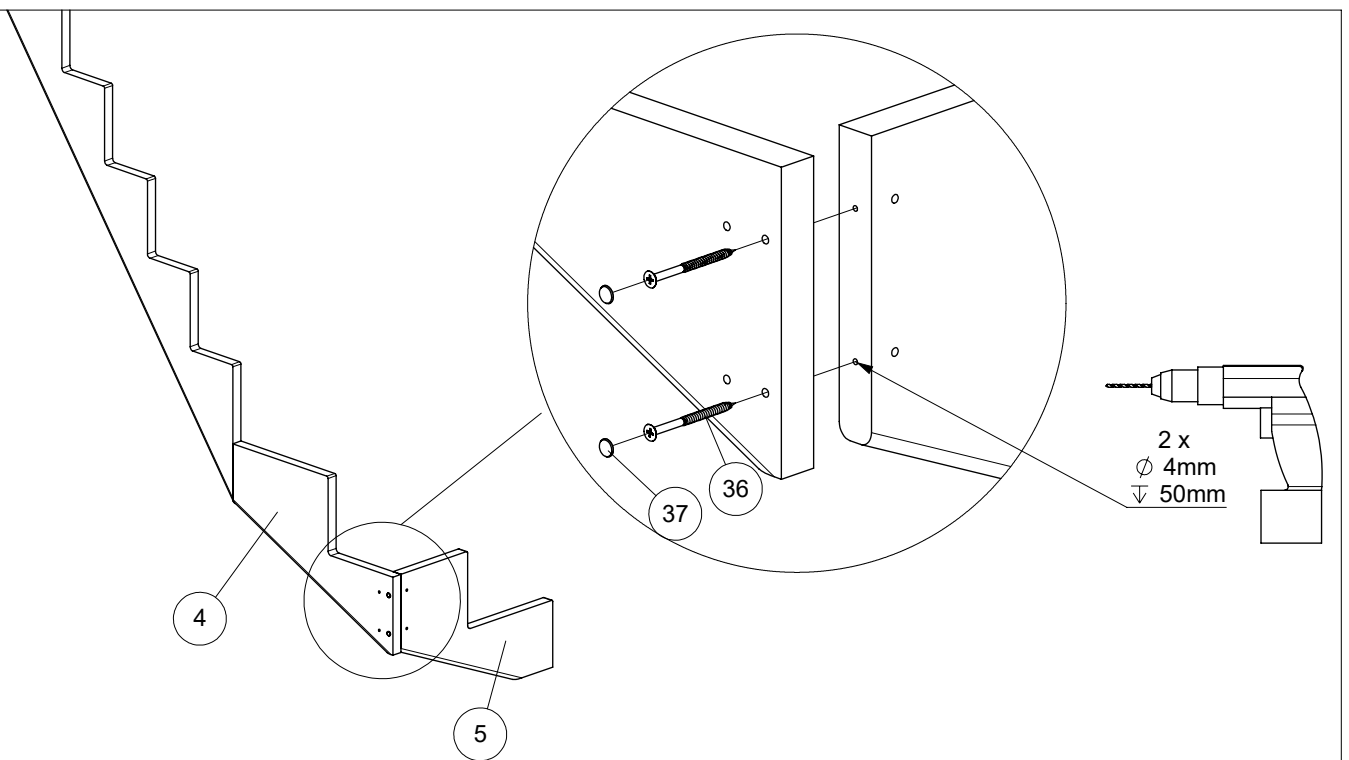
| Y: 220mm   |        |          |          |
|------------|--------|----------|----------|
| N [st / p] | Z [mm] | X [mm]   |          |
|            |        | B: 650mm | B: 750mm |
| 11         | 2420   | 1913     | 2013     |
| 12         | 2640   | 2073     | 2173     |
| 13         | 2860   | 2233     | 2333     |

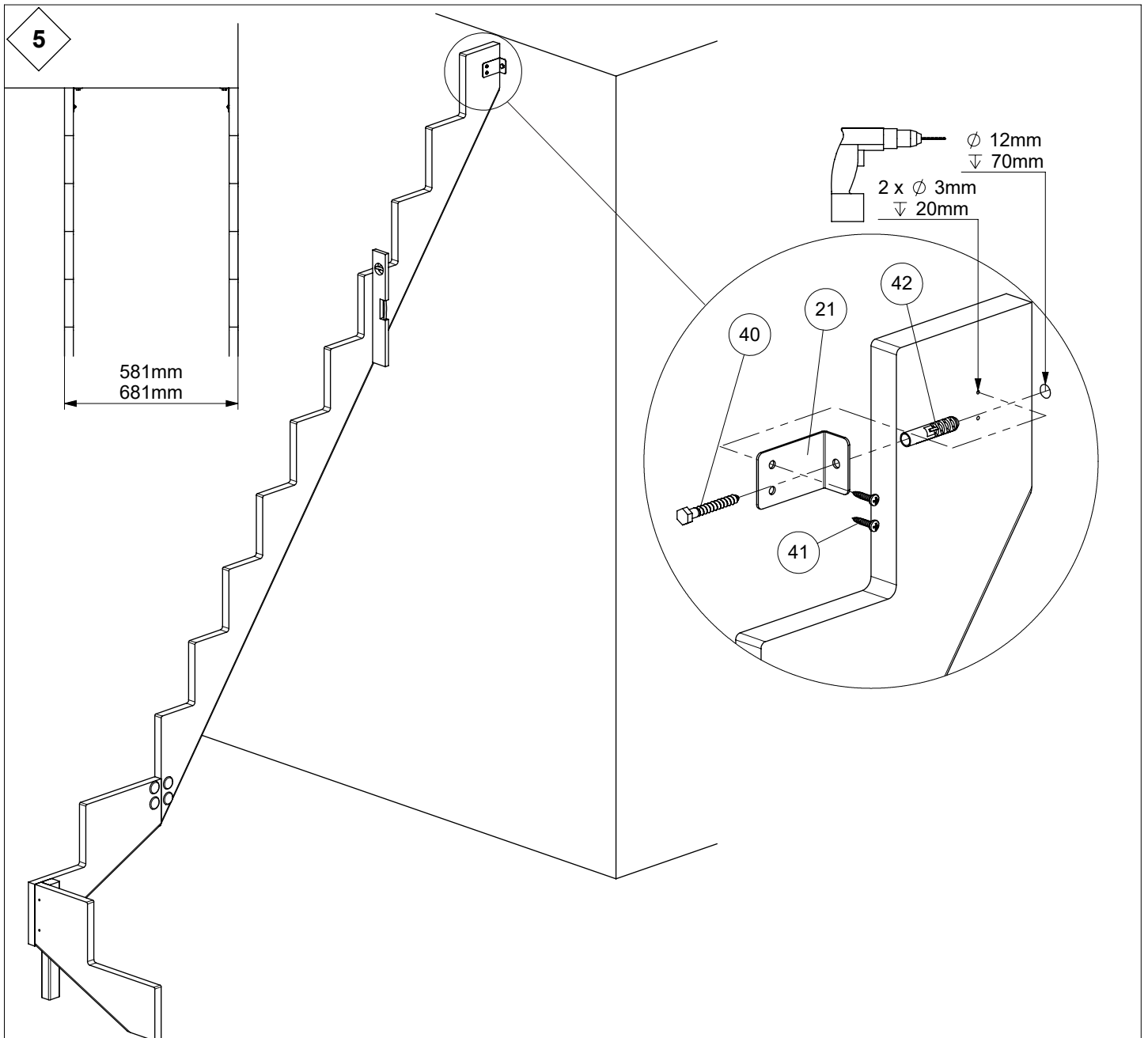
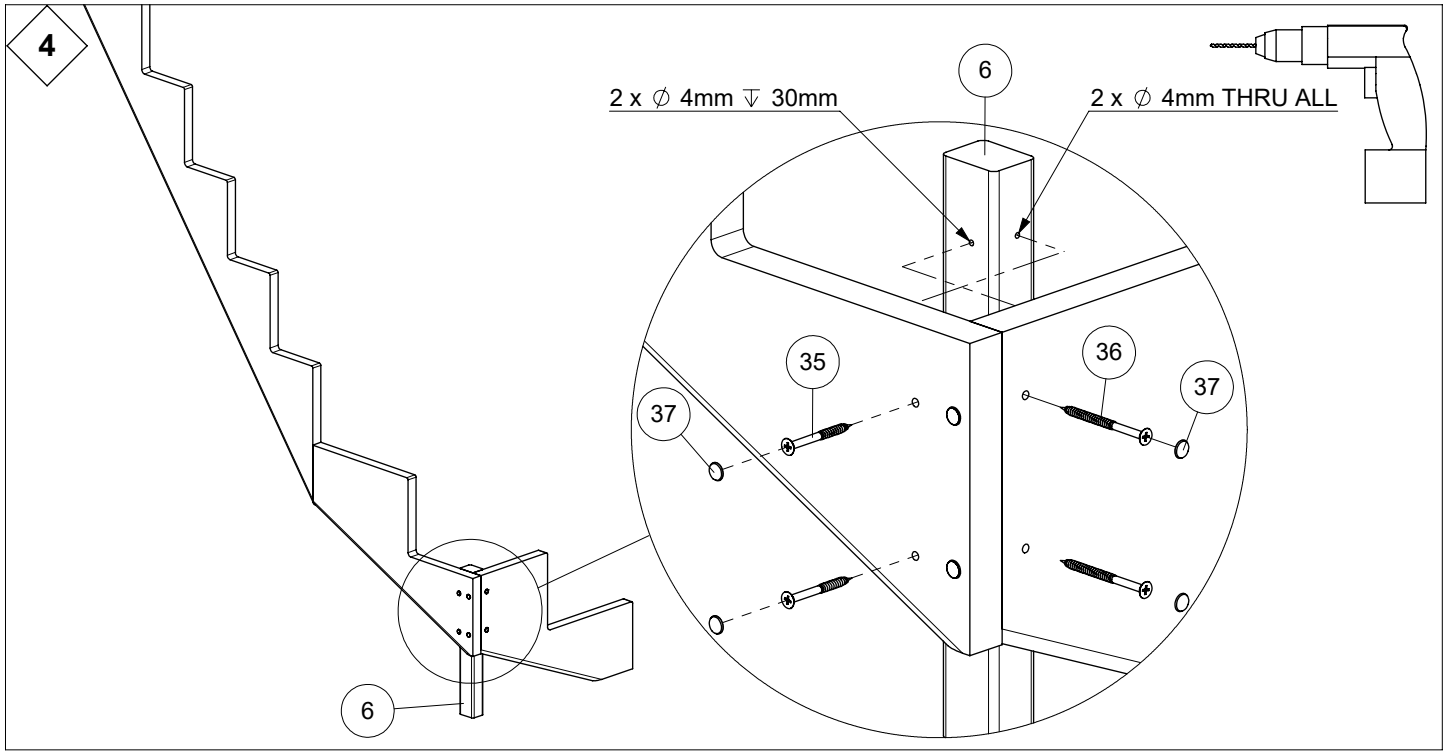


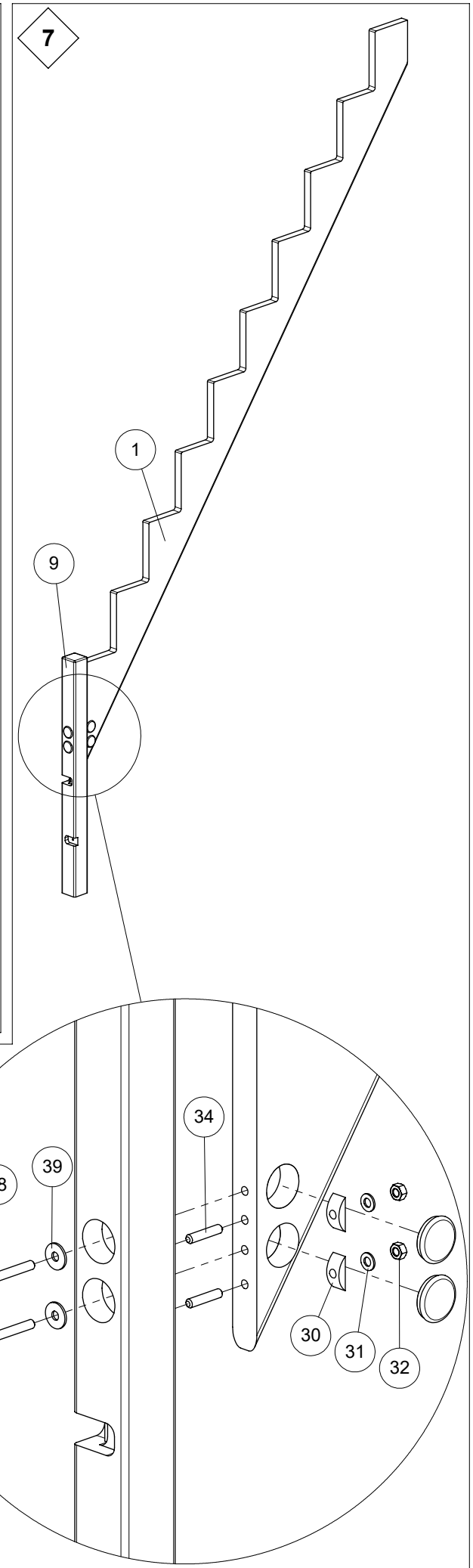
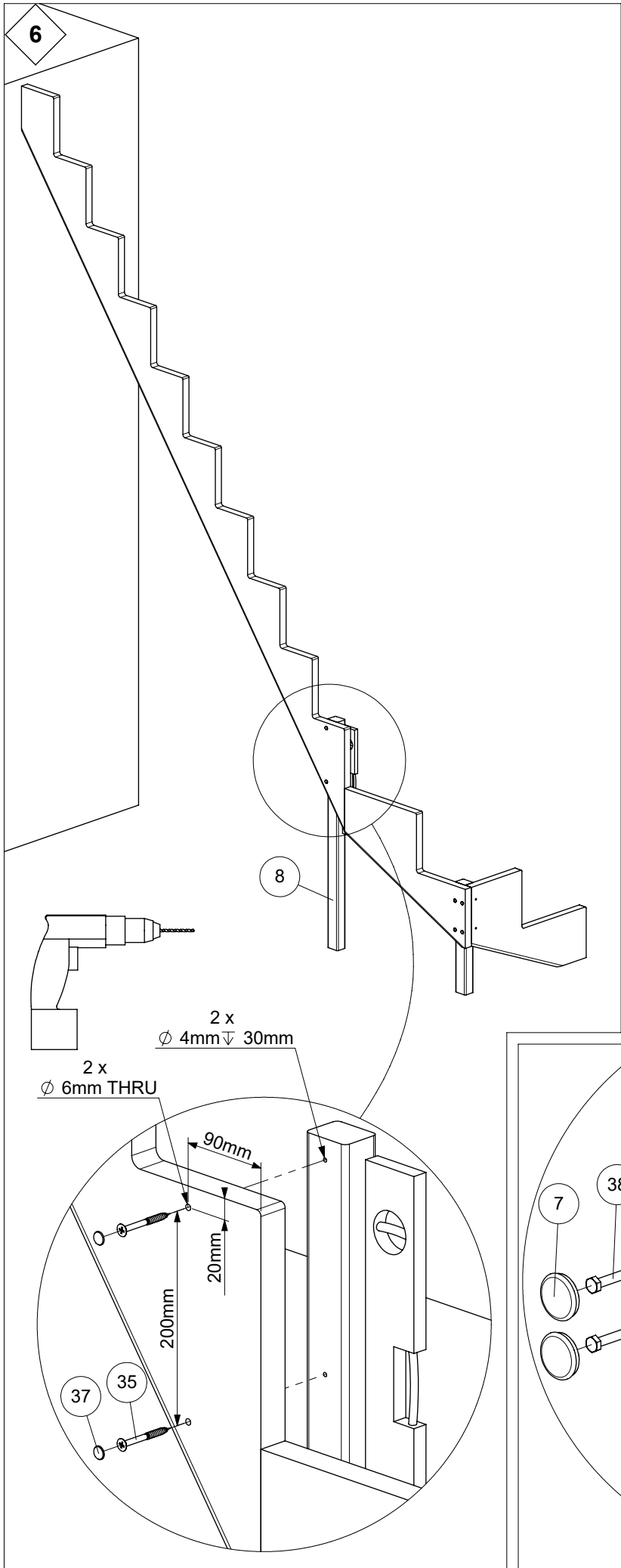
2



3

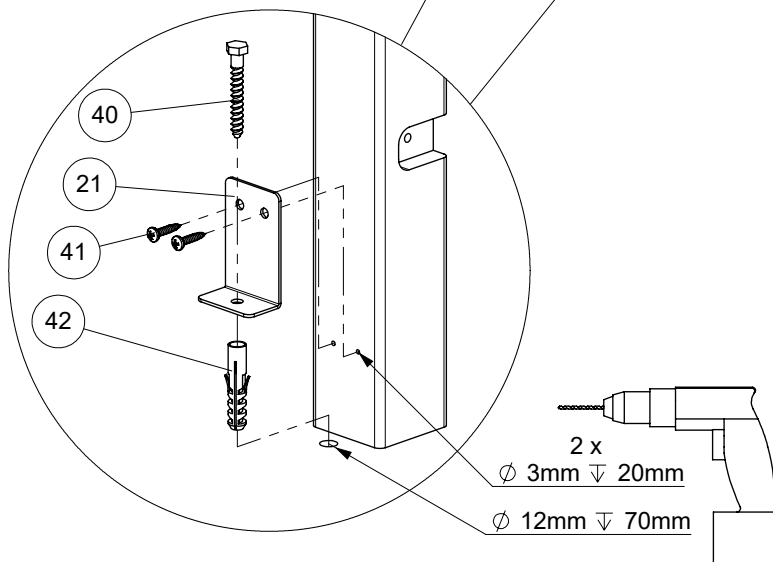
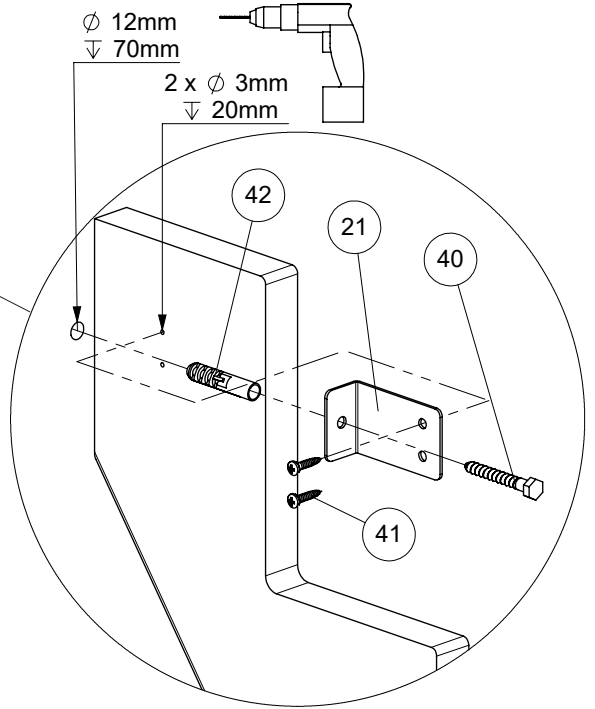
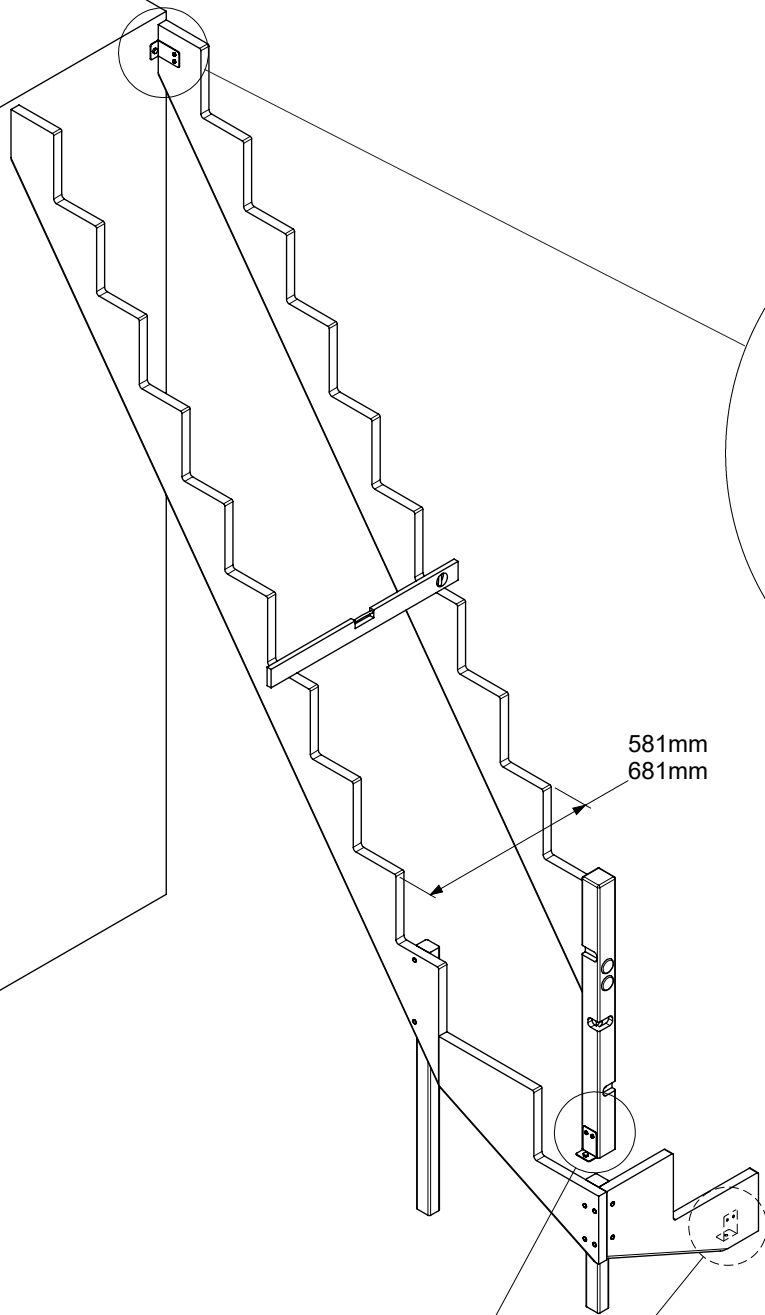




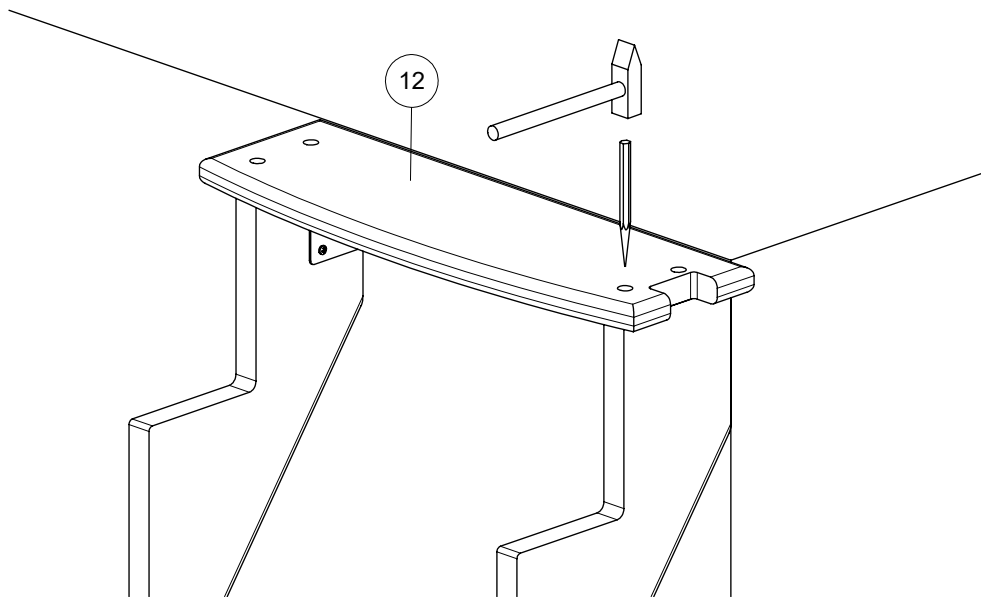
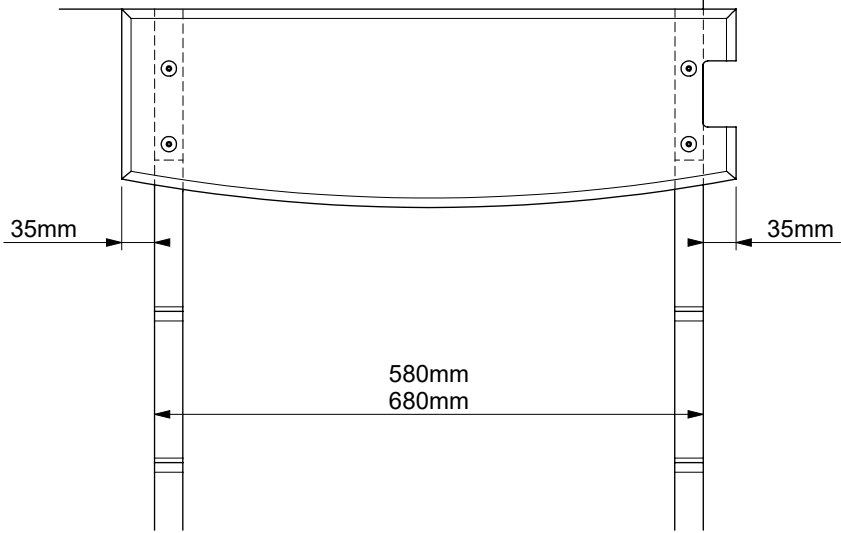




8



9



10

