



EXTRA



U_d VALUE
(W/m² * K)



**MAXIMUM
LOAD**



**PROTECTIVE
FEET**



SEAL



HANDRAIL



**YEARS
GUARANTEE**



The mark of
responsible forestry



OMAN®

CLASSIC

EI

MINI

FLEX

SOLID

LONG

EXTRA

46 mm

The EXTRA loft ladder has got single sealing and hatch thickness 46mm. EXTRA loft ladder model is ideally suited to conditions where the attic is insulated and does not require additional thermal insulation. This ladder is equipped with non-slip feet, which perfectly adhere to the ground and prevent scratches on the floor surface. Our non-slip feet included in EXTRA loft ladder provide an aesthetic finish for the ladder after cutting. To increase security and for comfortable use our EXTRA loft ladder is also equipped with stable and durable handrail. In the interest of user convenience, the handrail has been designed in such a way that it can be mounted on the left or right side depending on customer preferences. The excellent quality of materials used for the production of stairs and attention to every details of finish cause that the stairs will satisfy even the most demanding customers. The maximum load during use is up to 160 kg.

Technical specification

Insulated hatch thickness	46 mm
Thickness of thermal insulation	40 mm
Hatch colour from both sides	White
Wooden ladder	3 sections
Height of wooden box	170 mm
Width of ladder	400 mm
Width of step	358 mm
Depth of step	80 mm
Landing space	128/142 cm
Opening distance/angle	161/165 cm
Maximum ceiling height	280 cm

Box dimensions [cm] AxB

110x55 120x55 130x55 140x55
110x60 120x60 130x60 140x60
110x70 120x70 130x70 140x70

Outer box dimensions, mounting opening 2 cm larger

Non-standard dimensions

Min - Max Length 110 - 140 cm

Min - Max Width 54 - 85 cm

*Unusual dimensions available in full size of untypical stairs can not exceed 1 m²

Accessories



Masking batten

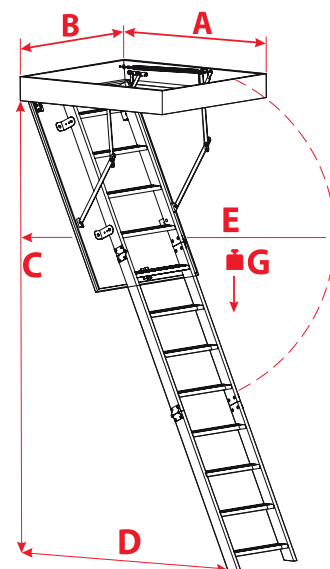


Mounting system



Hatch balustrade

Technical draw



A < 110

C 280 cm

D 128 cm

E 161 cm

G 160 kg

A > 110

C 280 cm

D 142 cm

E 165 cm

G 160 kg