



# POLAR

**0,36**

**U<sub>d</sub> VALUE**  
(W/m<sup>2</sup> \* K)



**MAXIMUM  
LOAD**



**PROTECTIVE  
FEET**



**SEALS**



**HANDRAIL**



**ADDITIONAL  
STEP**



**YEARS  
GUARANTEE**

**4** CLASS  
AIR  
TIGHT  
NESS



The mark of  
responsible forestry



COMPLIANCE WITH  
THE STANDARD

**OMAN**<sup>®</sup>

CLASSIC

EI

MINI

FLEX

SOLID

LONG

# POLAR

# 86 mm

The POLAR loft ladder has got double sealing and hatch thickness 86mm, thanks to it is perfect for all conditions. POLAR loft ladder has the best heat transfer coefficient on the market  $U=0,36$  and the highest 4 class airtightness. Because of the excellent parameters our POLAR loft ladder is suitable for montage especially where are the large temperature differences. Choosing our POLAR loft ladder is investment, which highly reduce the loss of the heating air, it as well helps to keep preferred level of thermal insulation and significantly reduce the costs of heating. Moreover this model is equipped with non-slip feet, which perfectly adhere to the ground and prevent scratches on the floor surface. Our non-slip feet included in POLAR loft ladder provide an aesthetic finish for the ladder after cutting. To increase security and for comfortable use our POLAR loft ladder is also equipped with stable and durable handrail. In the interest of user convenience, the handrail has been designed in such a way that it can be mounted on the left or right side depending on customer preferences. The excellent quality of materials used for the production of stairs and attention to every details of finish cause that the stairs will satisfy even the most demanding customers. The maximum load during use is up to 160 kg. By choosing the best insulated attic stairs on the market you reduce the costs associated with heating and thanks to it, you really contribute to the fight for a better climate.

## Technical specification

Insulated hatch thickness	86 mm
Thickness of thermal insulation	80 mm
Hatch colour from both sides	White
Wooden ladder	3 sections
Height of wooden box	170 mm
Width of ladder	400 mm
Width of step	358 mm
Depth of step	80 mm
Landing space	139/147 cm
Opening distance/angle	165/169 cm
Maximum ceiling height	280 cm

### Box dimensions [cm] AxB

113x55 120x55 130x55 140x55  
 113x60 120x60 130x60 140x60  
 113x70 120x70 130x70 140x70

Outer box dimensions, mounting opening 2 cm larger

## Non-standard dimensions

Min - Max Length (113)120 - 140 cm

Min - Max Width 54 - 80 cm

\*Unusual dimensions available in full size of untypical stairs can not exceed 1 m<sup>2</sup>

## Accessories



Masking batten

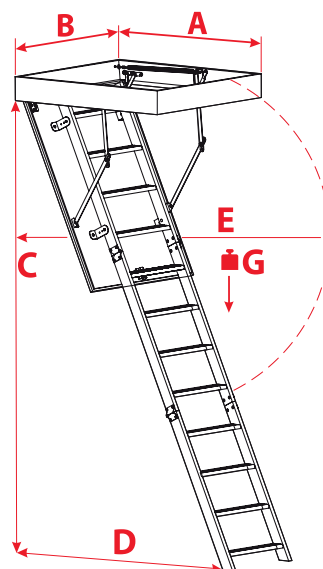


Mounting system



Hatch balustrade

## Technical draw



A < 113

C 280 cm

D 139 cm

E 165 cm

G 160 kg

A > 113

C 280 cm

D 147 cm

E 169 cm

G 160 kg