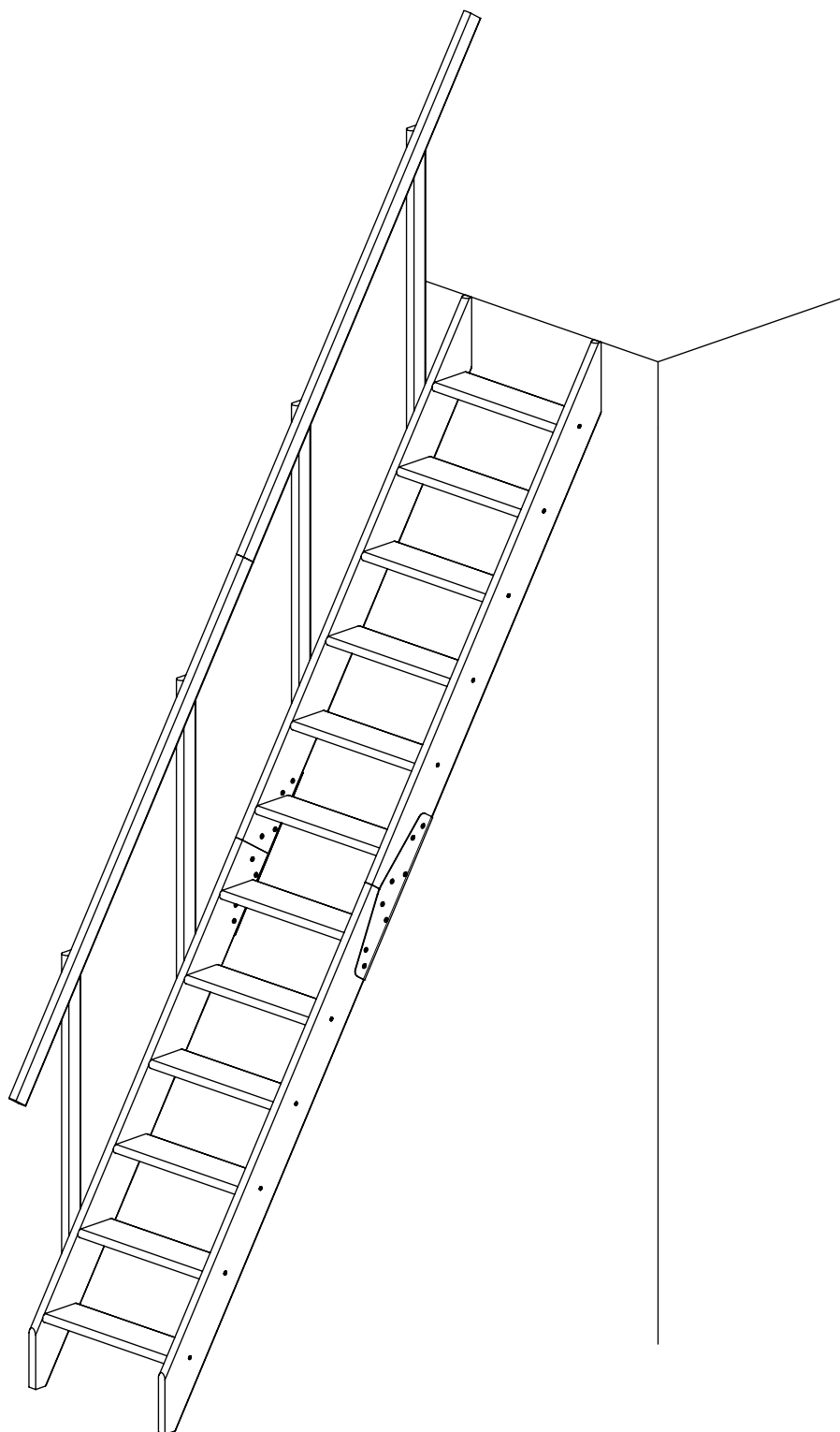
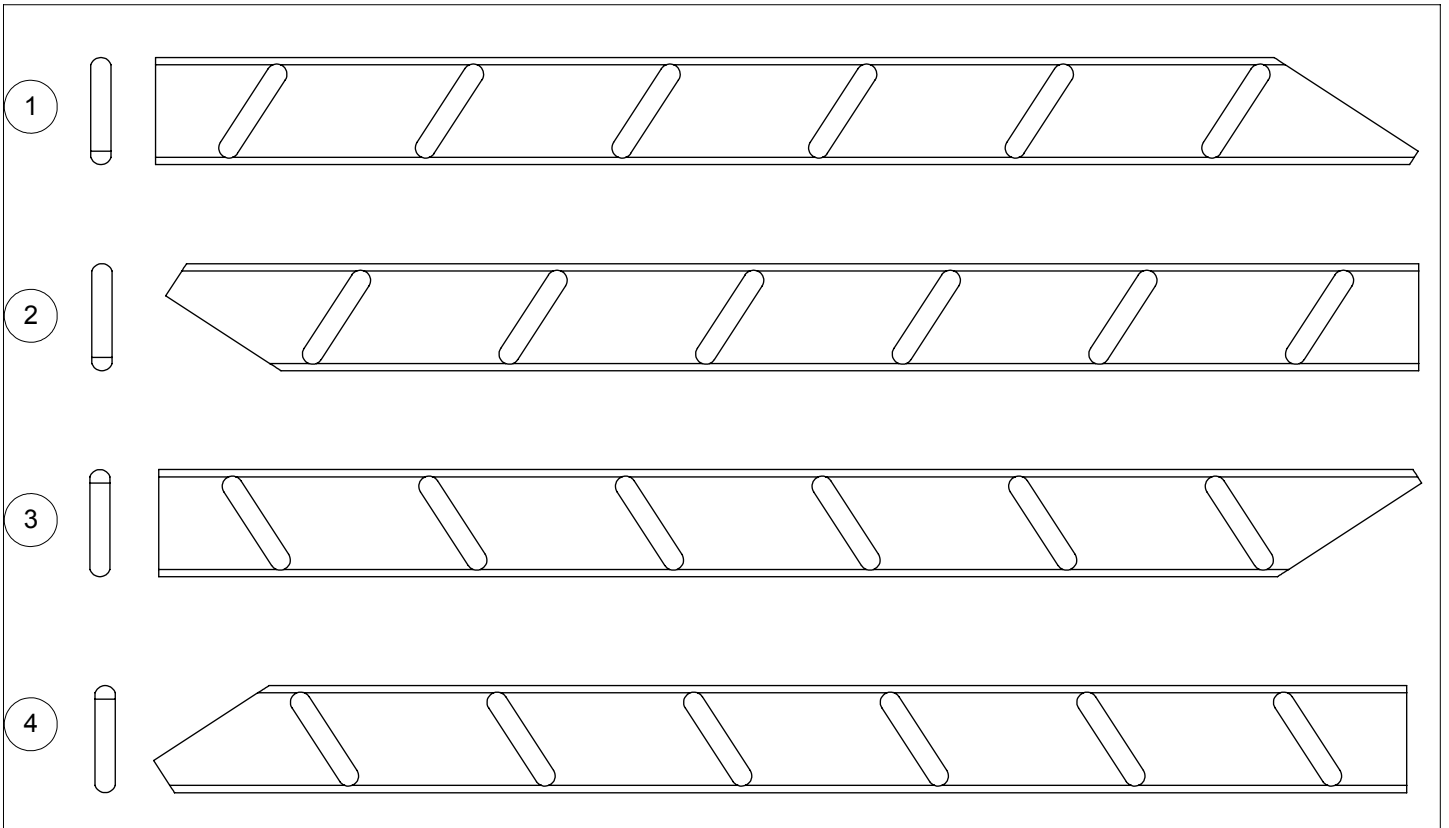


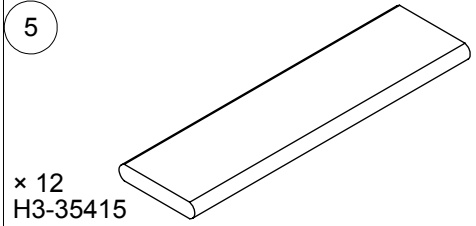
# KIEL

## Montageanleitung Assembly instruction

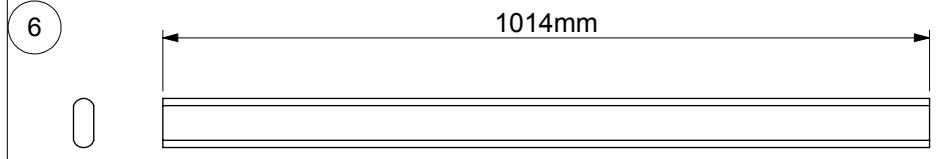




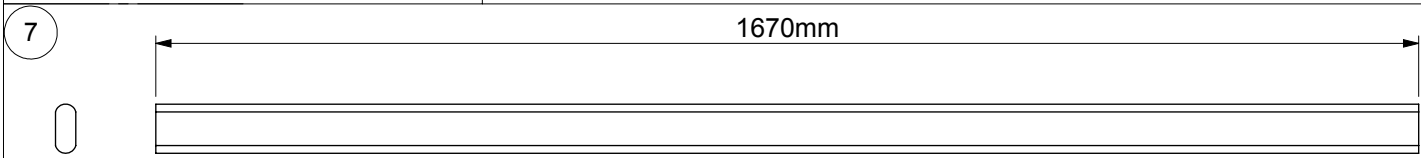
× 1  
H3-35420



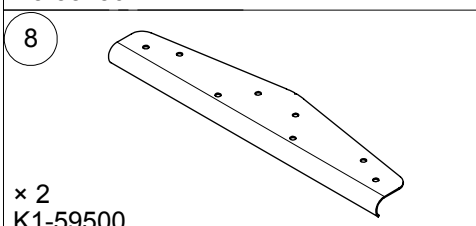
× 12  
H3-35415



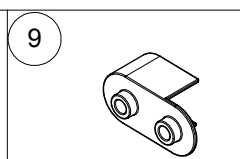
6  
× 4  
H3-35422



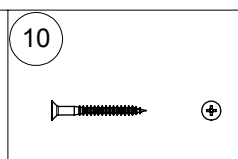
7  
× 2  
H3-35430



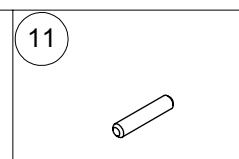
8  
× 2  
K1-59500



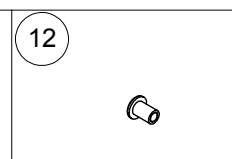
9  
× 1  
K1-59599



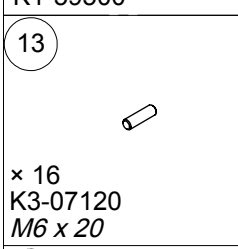
10  
× 38  
R3-91386  
Ø5 x 50



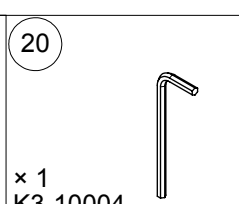
11  
× 2  
R3-91415  
Ø8 x 40



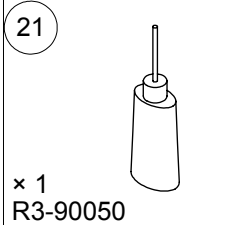
12  
× 32  
K3-10260  
M6 x 8



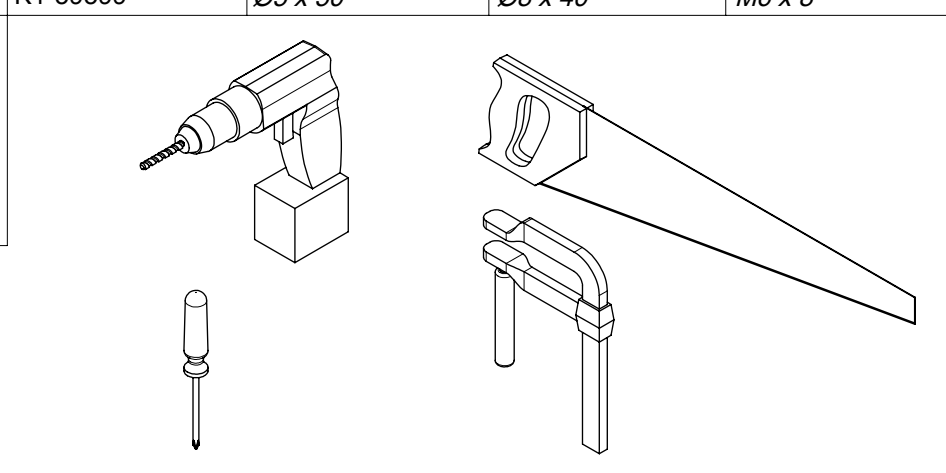
13  
× 16  
K3-07120  
M6 x 20



20  
× 1  
K3-10004  
4 mm

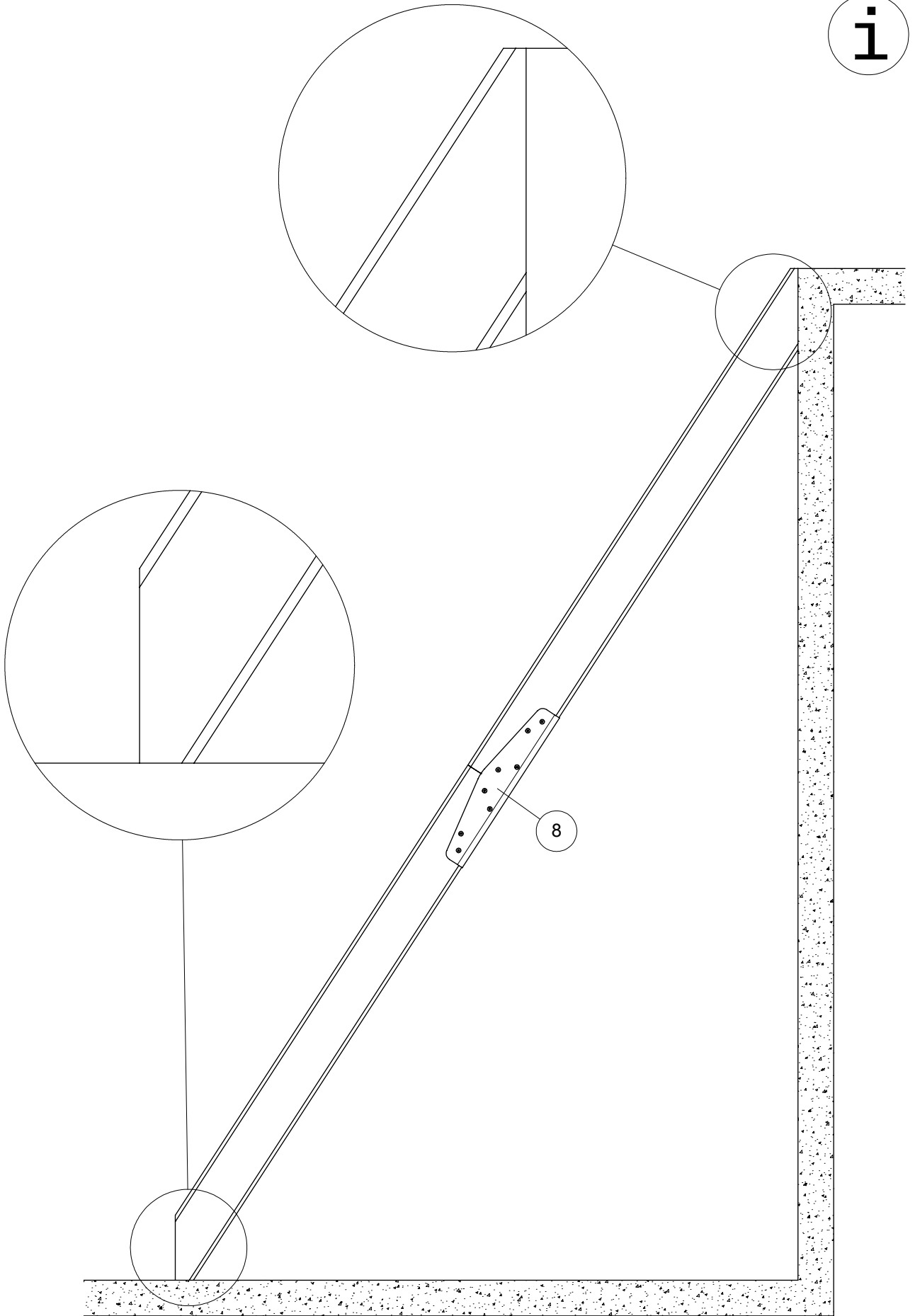


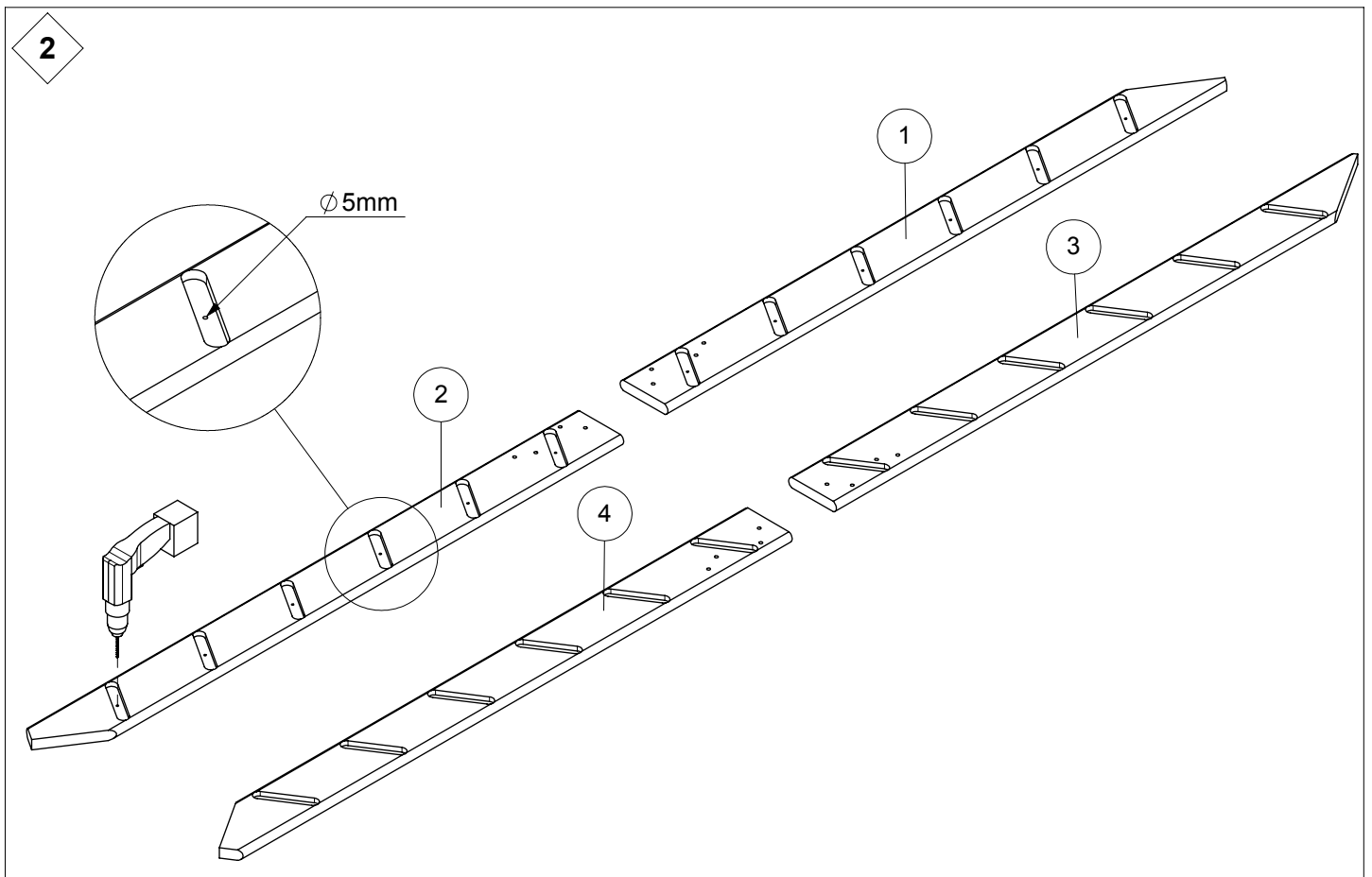
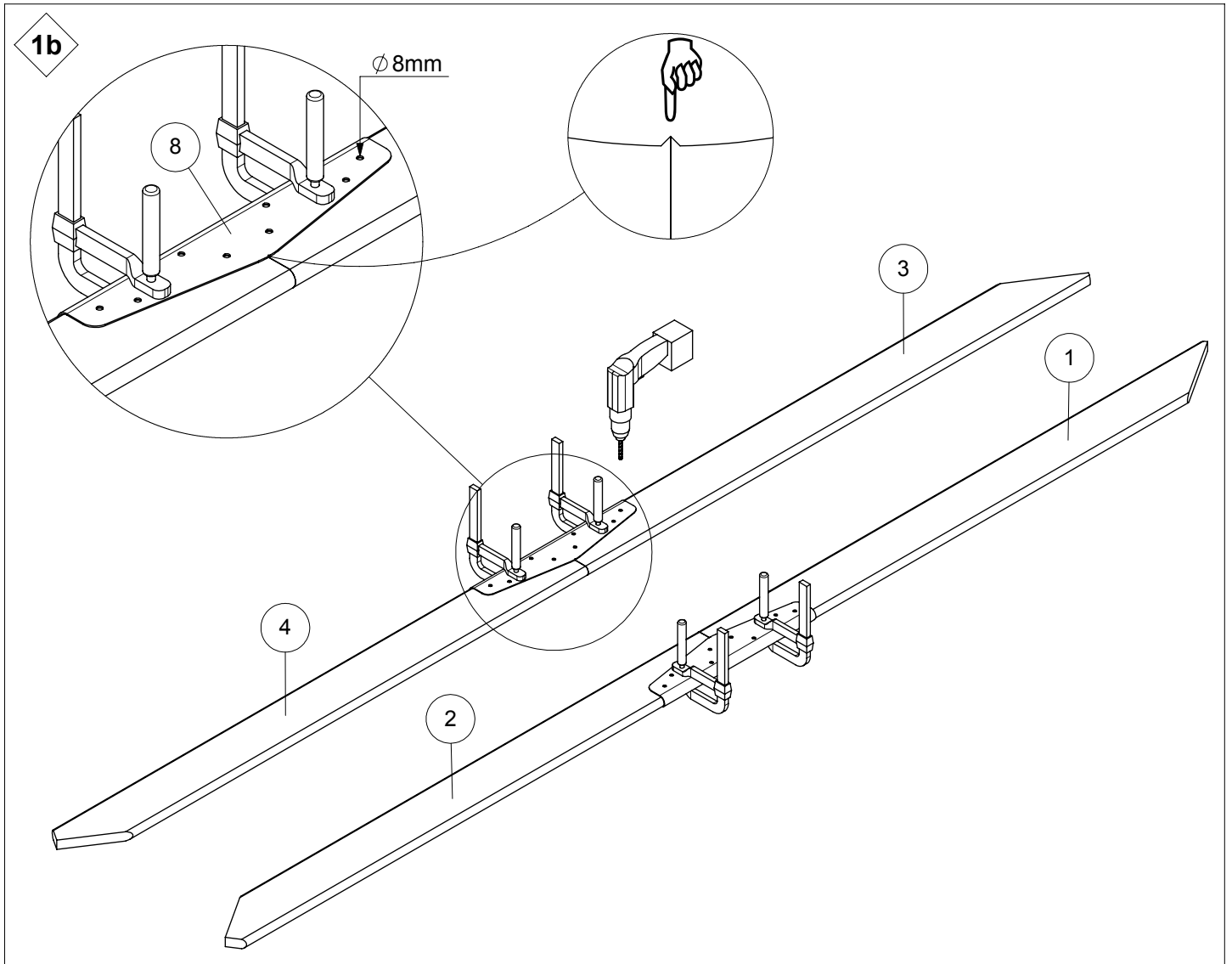
21  
× 1  
R3-90050



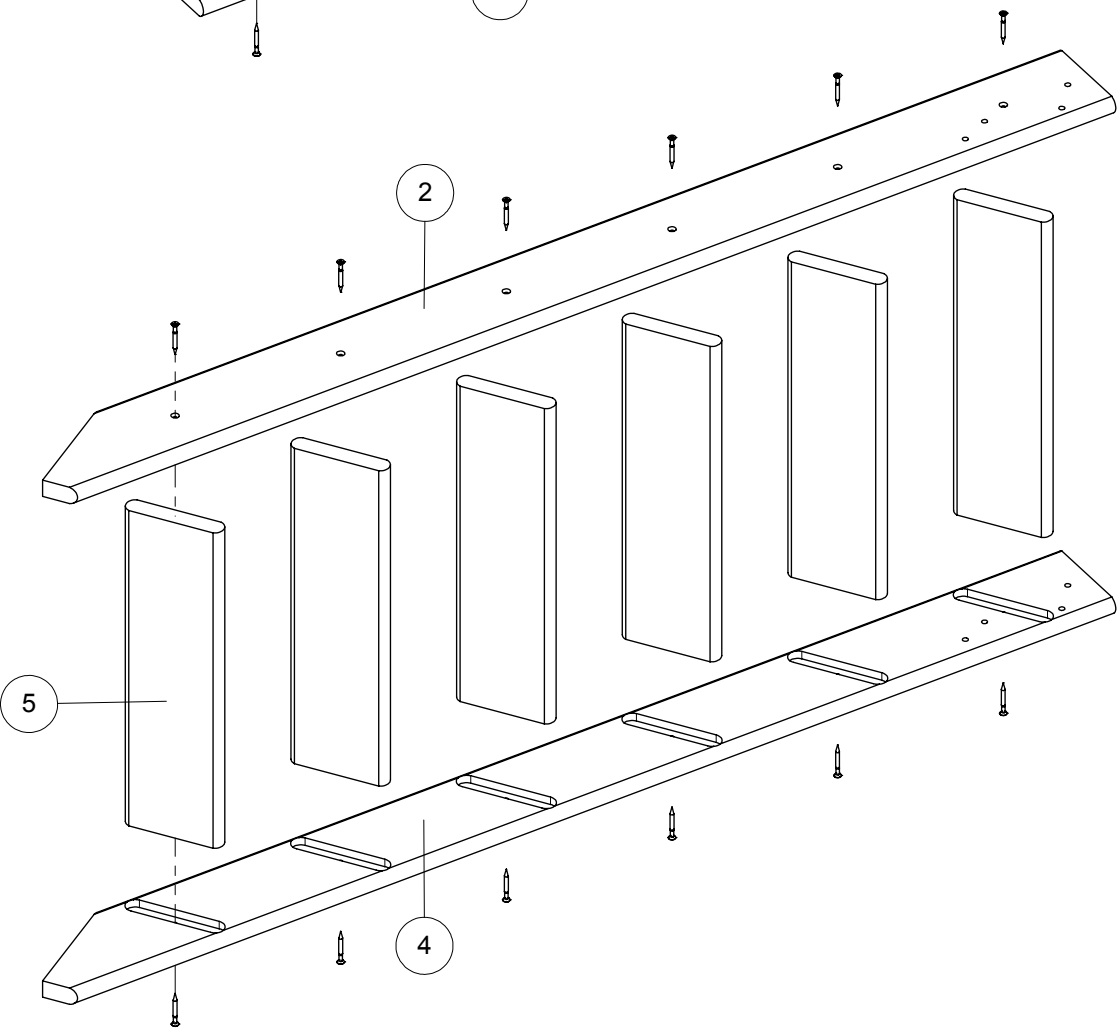
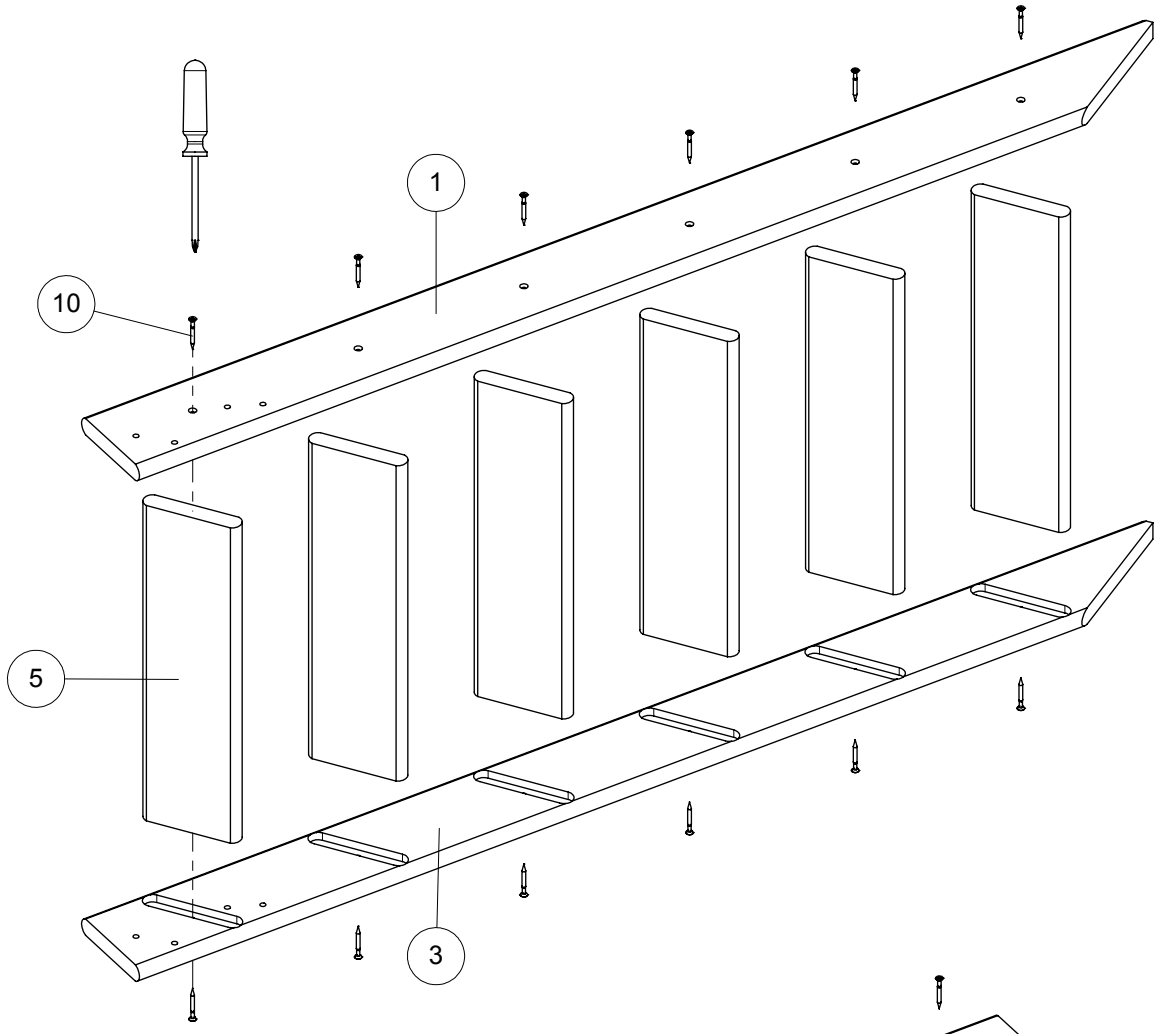
1a

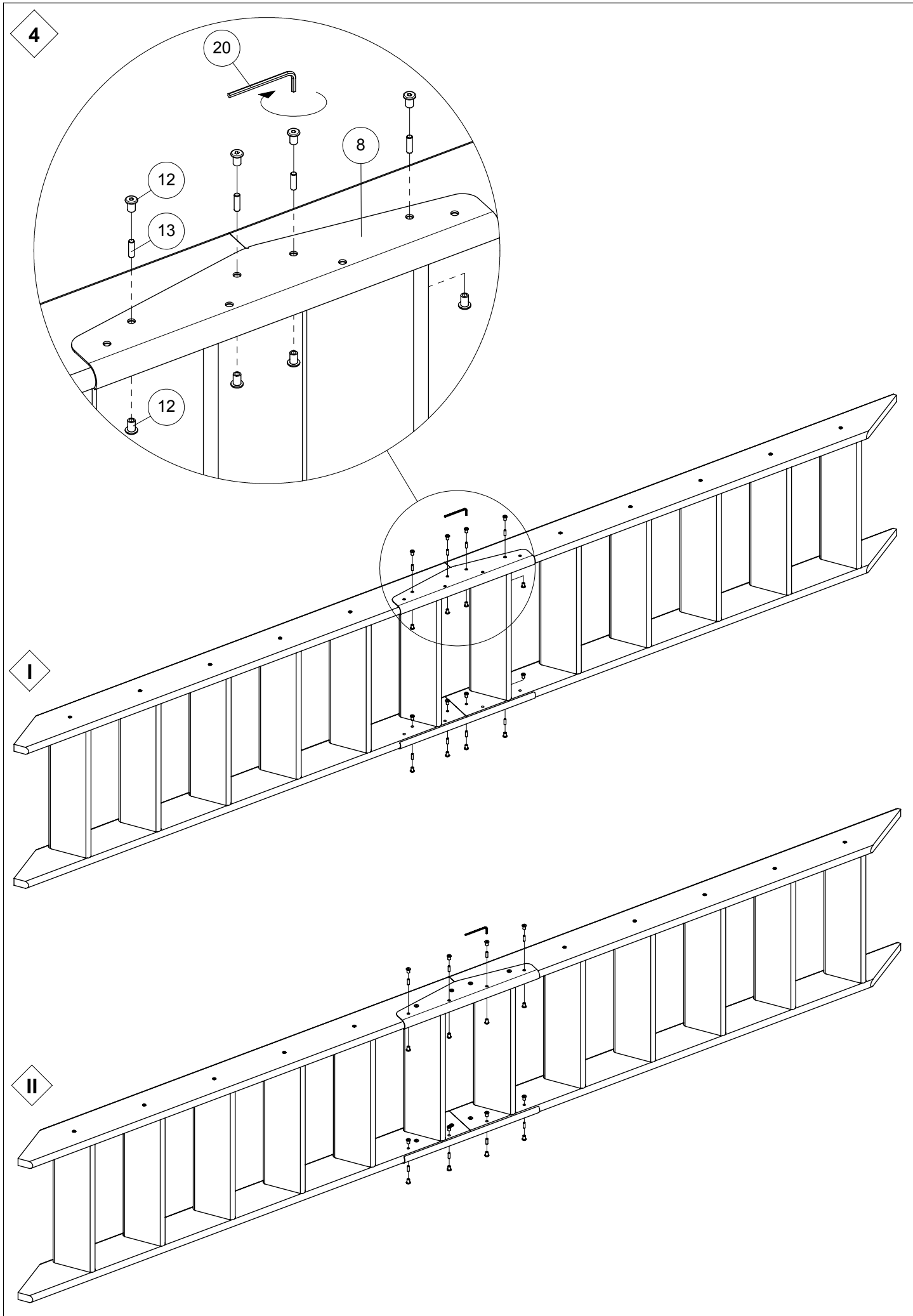
i



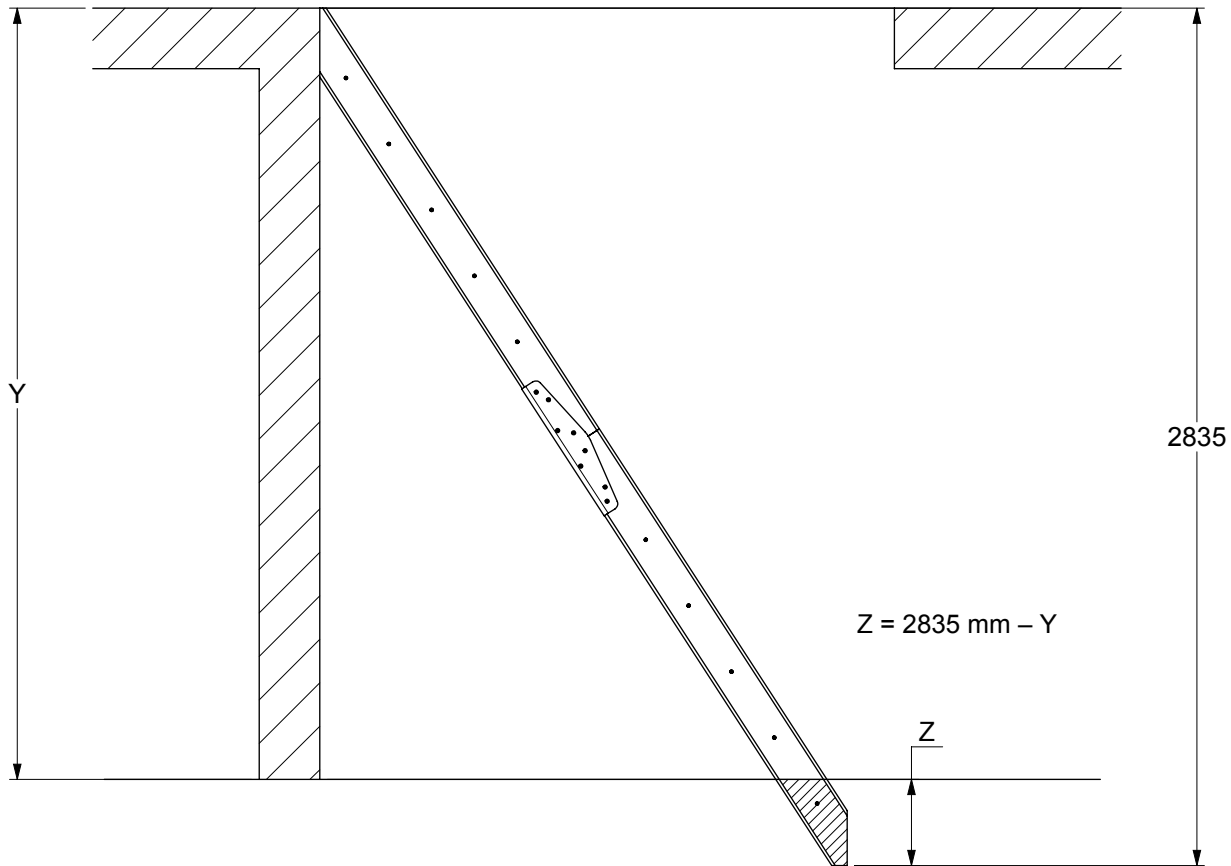


3

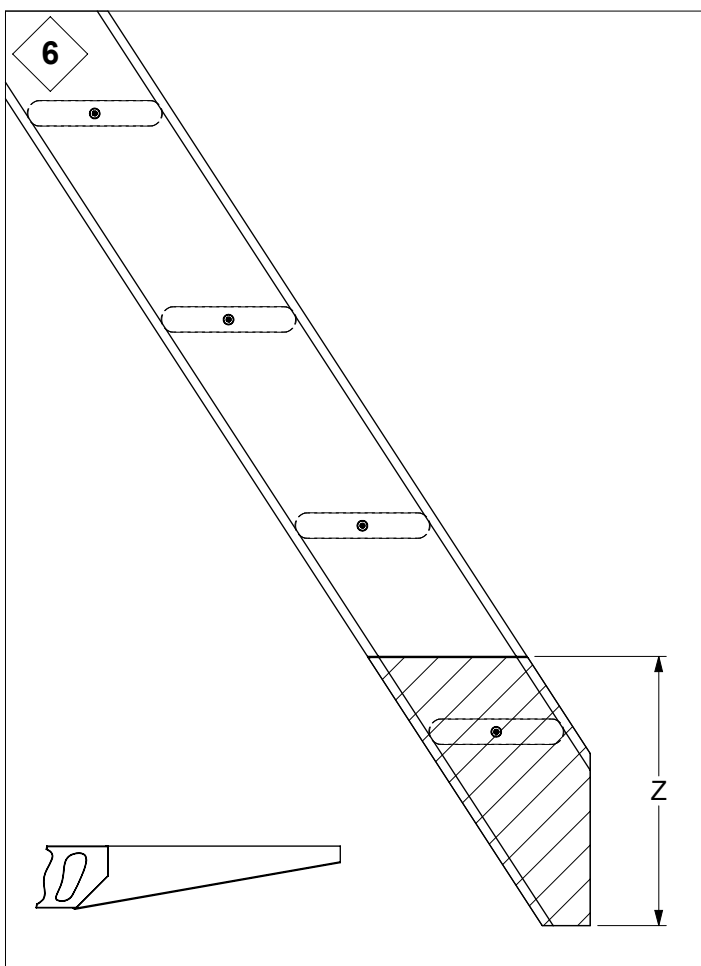




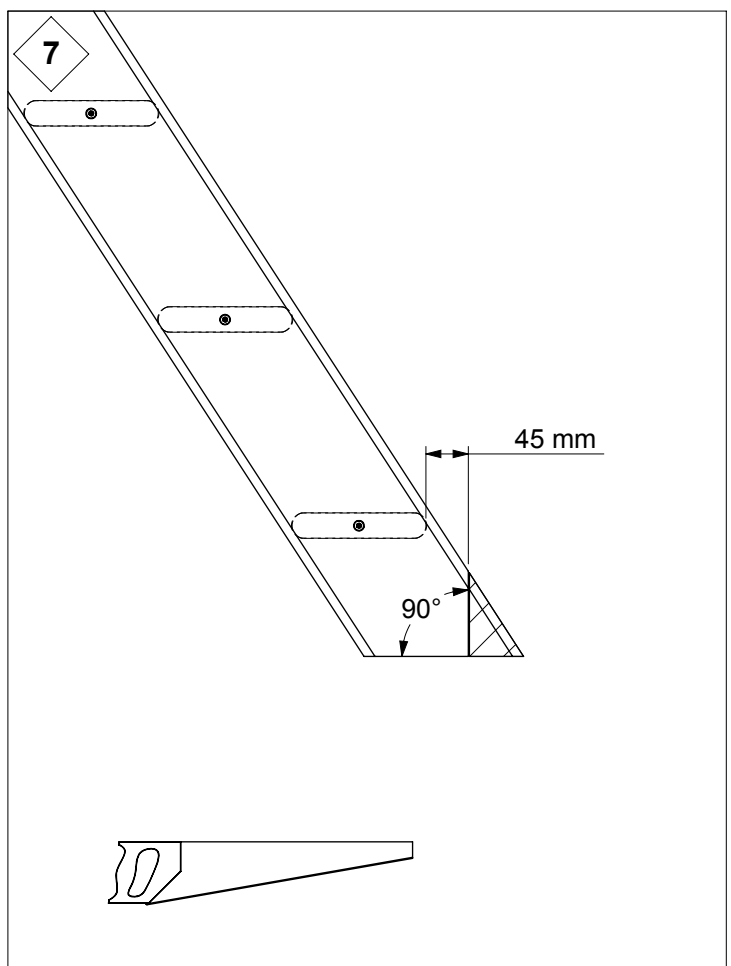
5

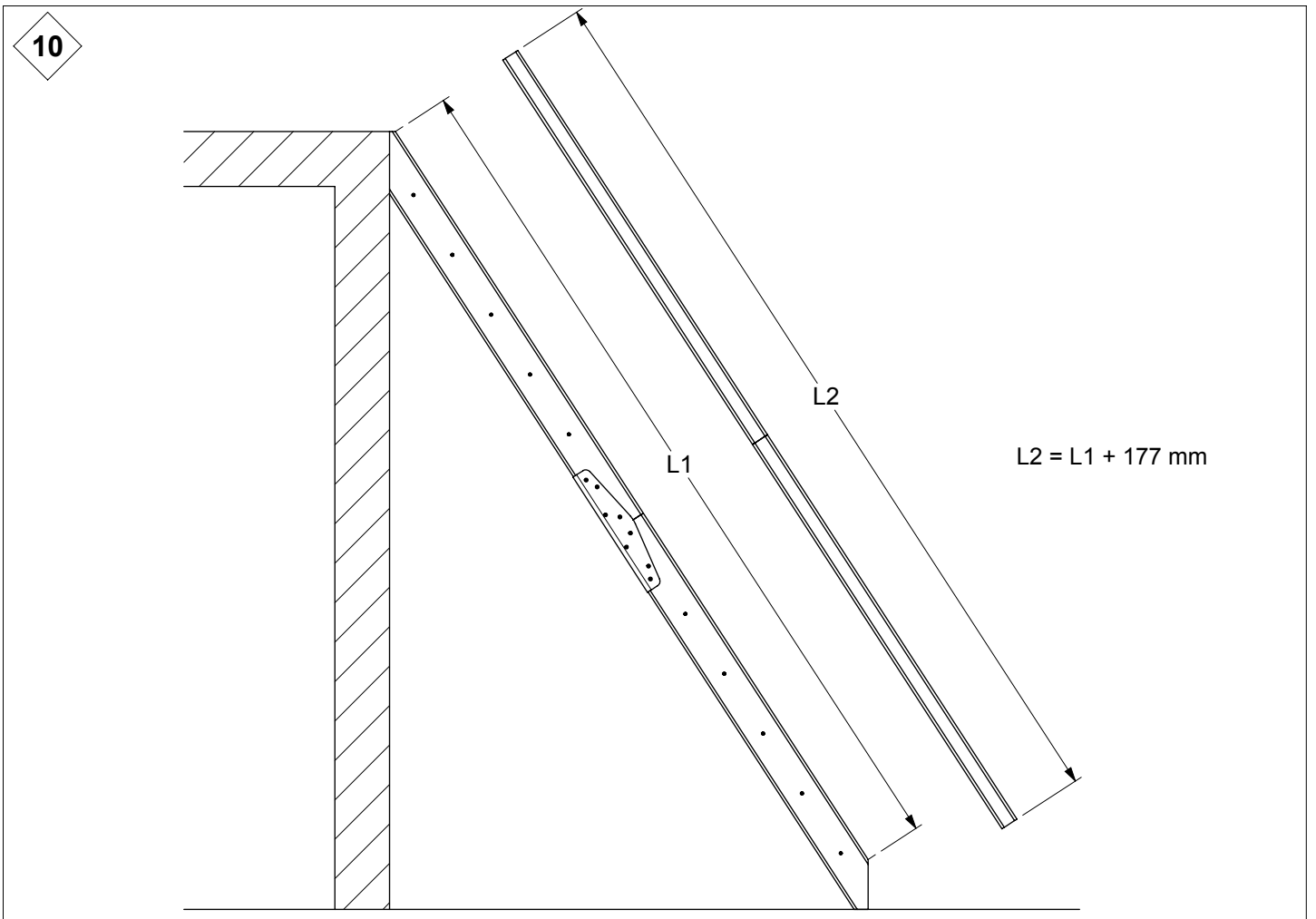
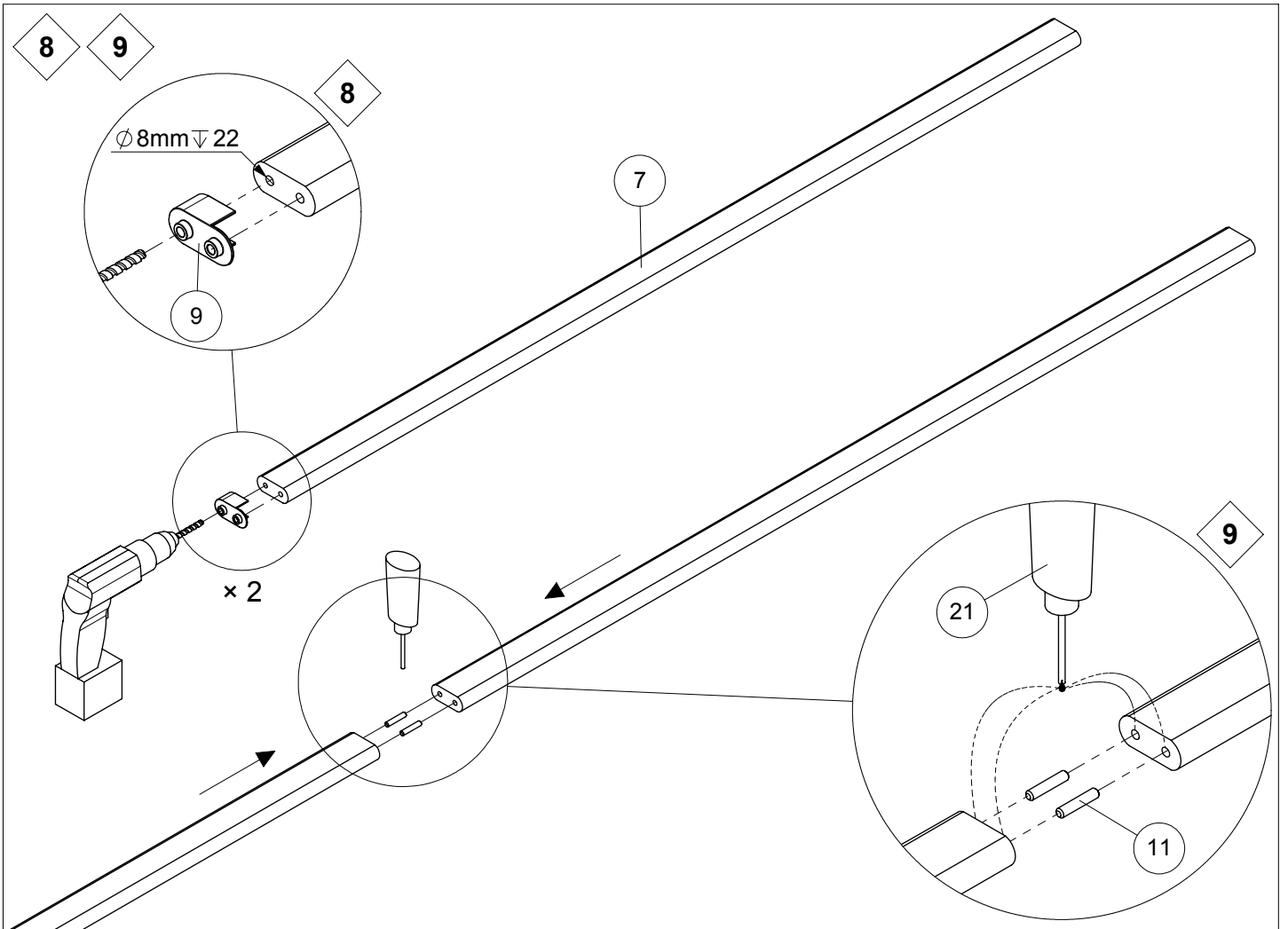


6



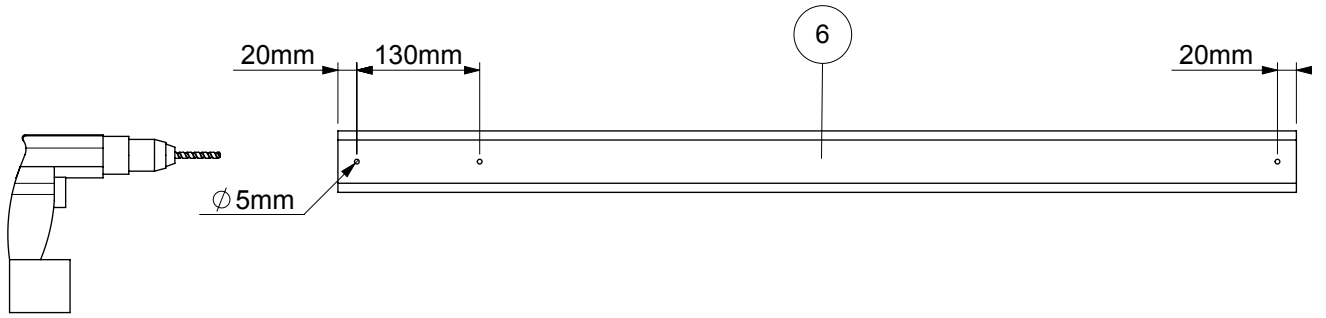
7







11



12

